

# CS37-00P55-05-1

 Rev. 0-2019  
 RoHS3 & REACH  
 Round Speakers

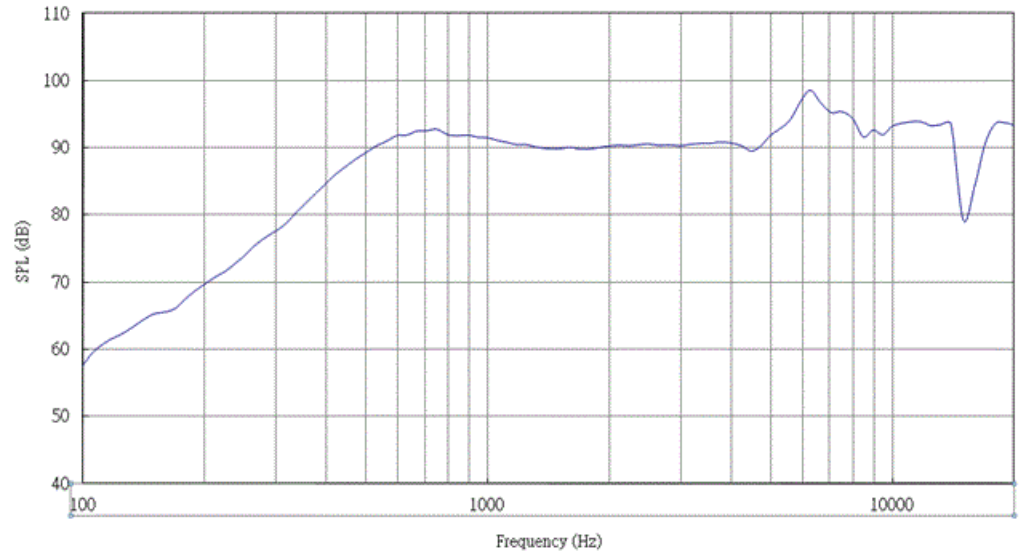

## Operating Characteristics

### ELECTRICAL

Rated Power	0.5 W
Short Term Max Power	1.0 W
Impedance	8 Ω ± 15 % 2000 Hz; 0.125 W

### ACOUSTIC: Baffle Board

$f_0$	550 Hz ± 20 % 0.125 W
Freq. Range	550 to 7000 Hz
Rated SPL	90 ± 3 dB 800, 1000, 1200, 1500 Hz; 0.1 W; 10 cm;
Distortion	<5 % 1000 Hz; 0.5 W



## Physical Characteristics

### MATERIALS

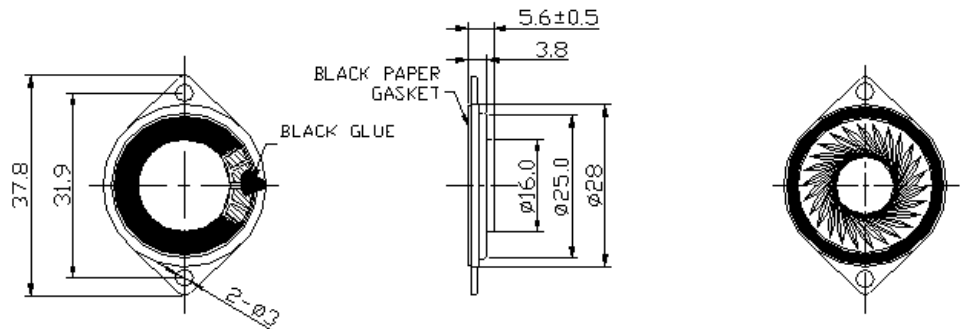
Housing	SPCC
Cone	PET
Magnet	NdFeB
Solder Pad	Tin Plated

### TEMPERATURE RANGES

Operating	-20 to +60 °C
Storage	-30 to +70 °C

Weight 12 g

Unless otherwise specified, tolerance: ±0.3(unit:mm)



Revision	Description	By	Date
0-2019	Initial Specification Sheet	CF	2019-07-25

Warranty: For a period of one (1) year from date of shipping under normal operations conditions This warranty does not apply to products damaged through misuse, abuse, improper installation, alteration, rework, or attempt to repair.

The information contained herein is believed to be correct, but no guarantee or warranty, express or implied, with respect to accuracy, completeness or results is extended and no liability is assumed. Challenge Electronics reserves the right to make changes in any specification, data or material contained herein.  
 ©2019 Challenge Electronics, Inc. 20190826155545