

INDICATORS • SPEAKERS • SOUND TRANSDUCERS • ENCLOSURES • MICROPHONES • BATTERY ACCESSORIES

CS37-00T40-17-1

Former P/N: CES370R170AE50PMN400PR

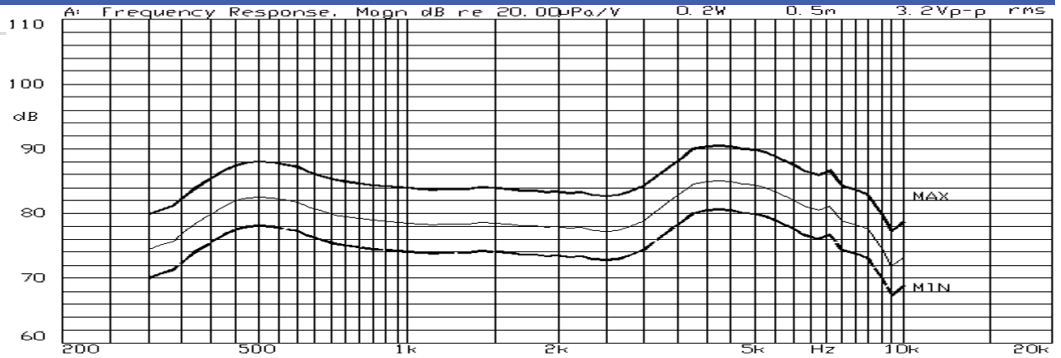
Rev. 1-2019
RoHS3 & REACH
Round Speakers



Operating Characteristics

ELECTRICAL	
Rated Power	0.3 W
Short Term Max Power	0.5 W
Impedance	50 Ω ± 10 % 1000 Hz; 0.02 W

ACOUSTIC: Baffle Board	
f_0	400 Hz ± 15 % 0.02 W
Freq. Range	400 to 5000 Hz
Rated SPL	82 ± 5 dB 600 Hz; 0.2 W; 50 cm;
Distortion	<3 % 1000 Hz; 0.2 W

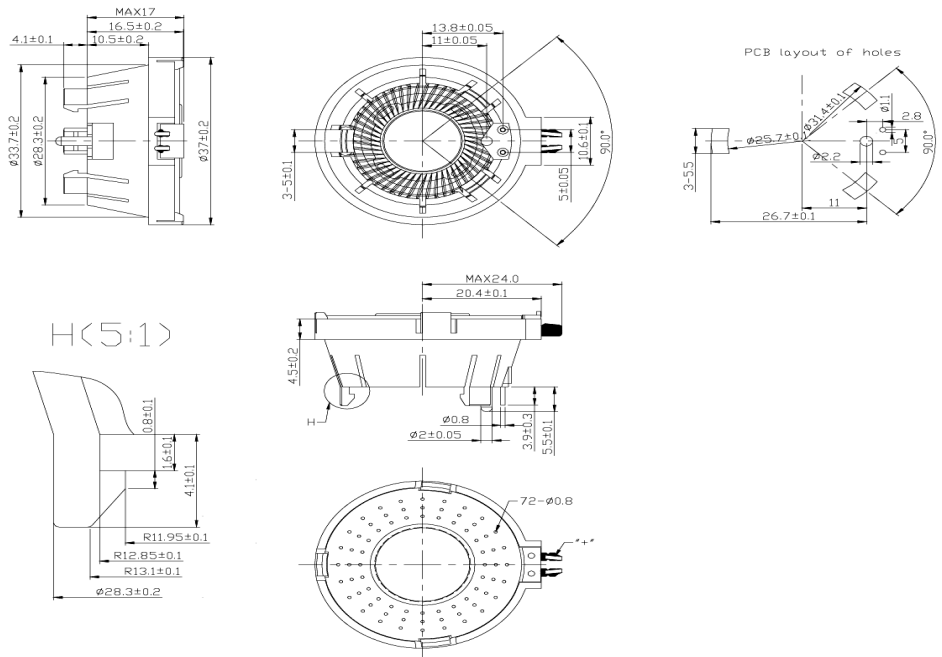


Physical Characteristics

MATERIALS	
Housing	PC
Cone	PEI
Magnet	NdFeB
PC Pin	Red Copper

TEMPERATURE RANGES	
Operating	-40 to +90 °C
Storage	-40 to +90 °C

Weight 9.5 g



Revision	Description	By	Date
1-2019	Migrate to new format	JL	2019-06-21

Warranty: For a period of one (1) year from date of shipping under normal operations conditions This warranty does not apply to products damaged through misuse, abuse, improper installation, alteration, rework, or attempt to repair.