

INDICATORS • SPEAKERS • SOUND TRANSDUCERS • ENCLOSURES • MICROPHONES • BATTERY ACCESSORIES

CS40-01D38-12-1

Former P/N: CES400S120CA08PCN380STR

Rev. 2-2019
RoHS3 & REACH
Oval Speakers



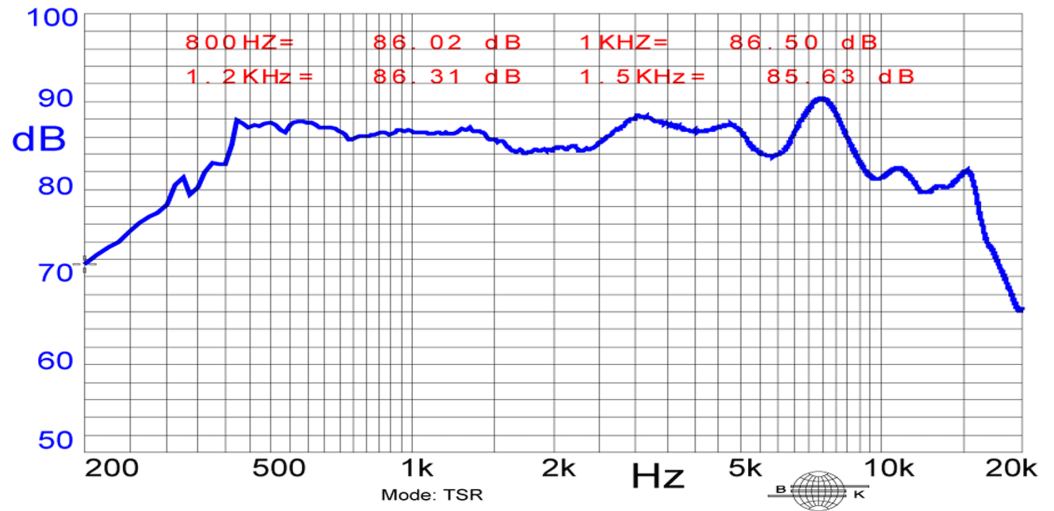
Operating Characteristics

ELECTRICAL

Rated Power	1.0 W
Short Term Max Power	2.0 W
Impedance	8 Ω ± 15 % 1000 Hz; 0.125 W

ACOUSTIC:

f_0	380 Hz ± 20 % 0.125 W
Freq. Range	380 to 20000 Hz
Rated SPL	84 ± 3 dB 800, 1000, 1200, 1500 Hz; 1.0 W; 50 cm;
Distortion	<5 % 1000 Hz; 1 W



Physical Characteristics

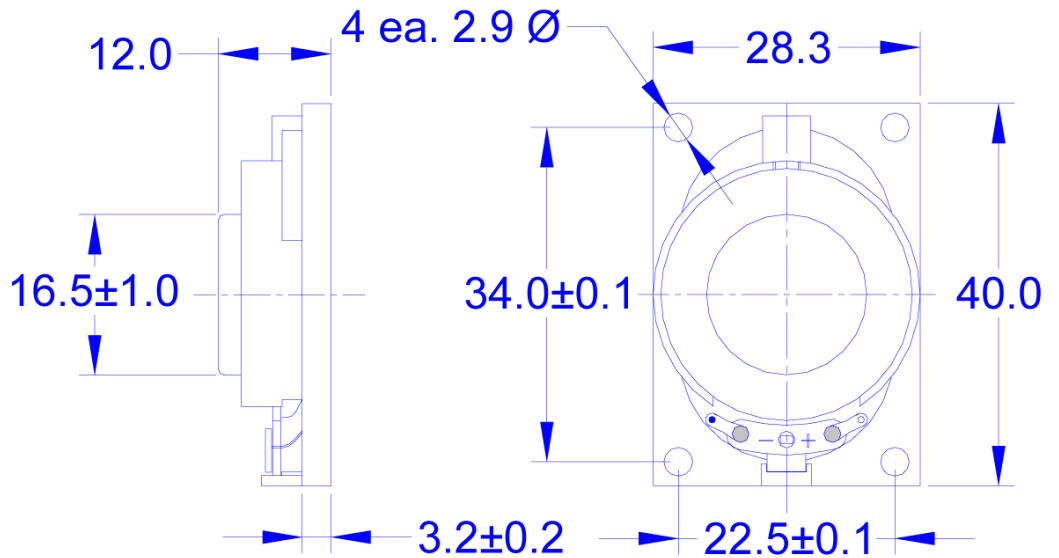
MATERIALS

Housing	Plastic
Cone	Paper
Magnet	NdFeB
Solder Tab	Tin Plated Iron

TEMPERATURE RANGES

Operating	-20 to +60 °C
Storage	-30 to +70 °C

Weight 7.6 g



Revision	Description	By	Date
2-2019	Migrate to new format	JL	2019-03-26

Warranty: For a period of one (1) year from date of shipping under normal operations conditions This warranty does not apply to products damaged through misuse, abuse, improper installation, alteration, rework, or attempt to repair.

The information contained herein is believed to be correct, but no guarantee or warranty, express or implied, with respect to accuracy, completeness or results is extended and no liability is assumed. Challenge Electronics reserves the right to make changes in any specification, data or material contained herein.
©2019 Challenge Electronics, Inc. 20190909095047