

INDICATORS • SPEAKERS • SOUND TRANSDUCERS • ENCLOSURES • MICROPHONES • BATTERY ACCESSORIES

CS40-01D55-08-1

Former P/N: CES400S080CB08PCN550SUR

Rev. 2-2019
RoHS3 & REACH
Oval Speakers



Operating Characteristics

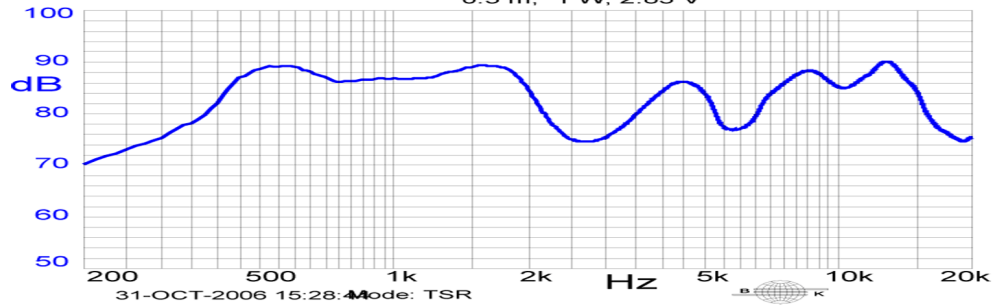
ELECTRICAL

Rated Power	1.5 W
Short Term Max Power	3.0 W
Impedance	8 Ω ± 15 % 1000 Hz; 0.125 W

ACOUSTIC: Baffle Board

f_0	550 Hz ± 20 % 0.125 W
Freq. Range	550 to 20000 Hz
Rated SPL	84 ± 3 dB 800, 1000, 1200, 1500 Hz; 1.0 W; 50 cm;
Distortion	<5 % 1000 Hz; 1 W

A: Frequency Response, Magn dB re 20.00 uPa/V
0.5 m, 1 W, 2.83 V



Physical Characteristics

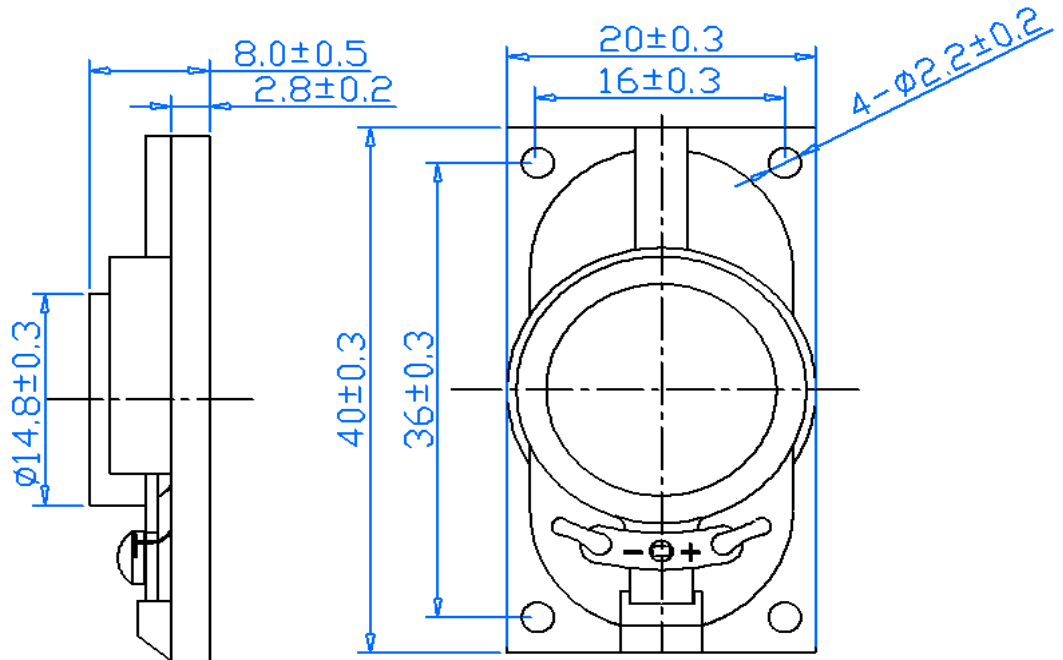
MATERIALS

Housing	Plastic, ABS
Cone	Cloth
Magnet	NdFeB
Solder Tab	Tin Plated Iron

TEMPERATURE RANGES

Operating	-20 to +60 °C
Storage	-30 to +70 °C

Weight 7 g



Revision	Description	By	Date
2-2019	Migrate to new format	JL	2019-06-21

Warranty: For a period of one (1) year from date of shipping under normal operations conditions This warranty does not apply to products damaged through misuse, abuse, improper installation, alteration, rework, or attempt to repair.