

CS40-01P50-04-1

 Rev. 0-2020
 RoHS3 & REACH
 Mobile Speakers

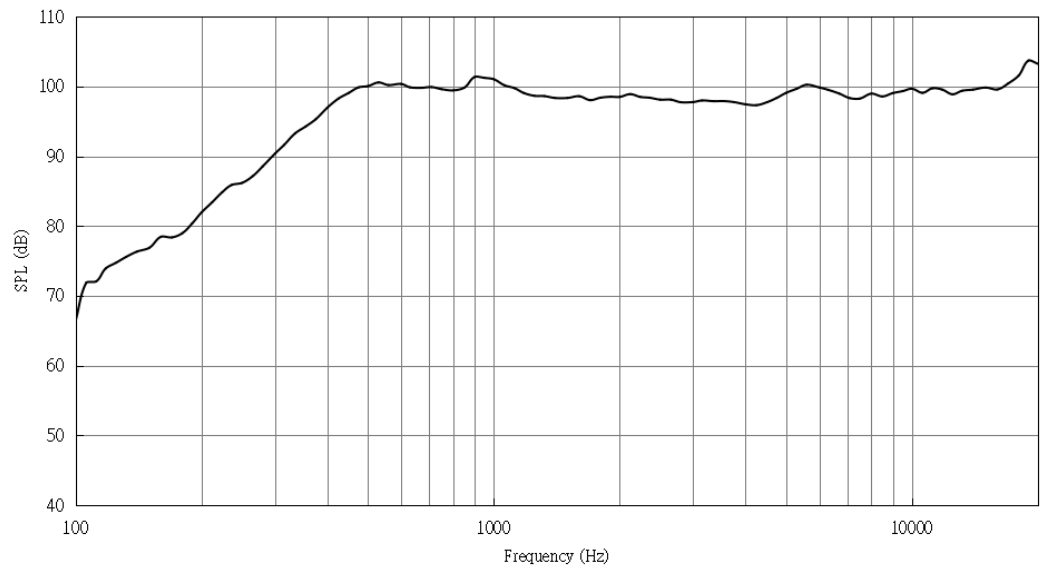

Operating Characteristics

ELECTRICAL

Rated Power	1 W
Short Term Max Power	1.2 W
Impedance	8 Ω ± 15 % 2000 Hz; 1.0 W

ACOUSTIC: 5CC Sealed Enclosure

f_0	500 Hz ± 20 % 1W
Freq. Range	500 to 20000 Hz
Rated SPL	98 ± 3 dB 1 W; 10 cm;
Distortion	< 10 % 1000 Hz; 1 W



Physical Characteristics

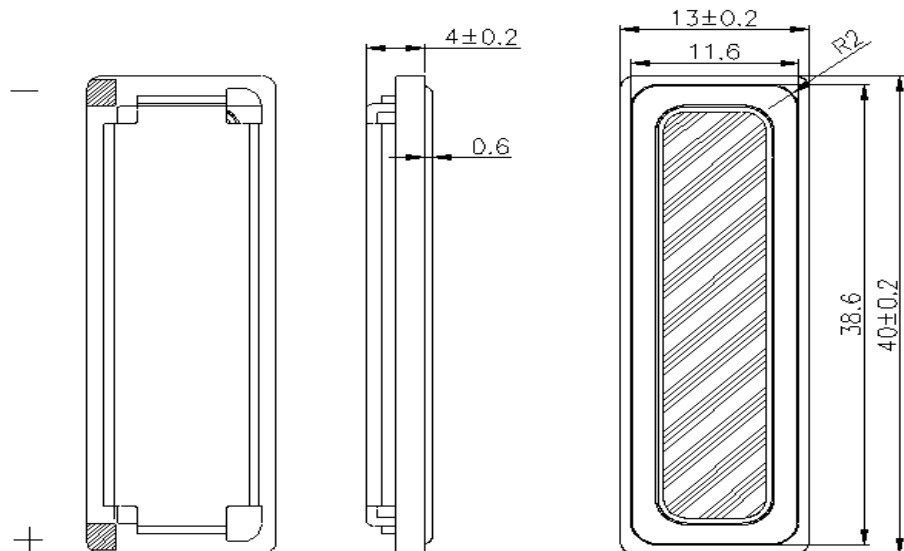
MATERIALS

Housing	PPA
Cone	PEEK
Magnet	NdFeB
Solder Pad	Stainless Steel, Tin Plated

TEMPERATURE RANGES

Operating	-20 to +70 °C
Storage	-40 to +85 °C

Weight 8 g



Unit: mm ± 0.2

Revision	Description	By	Date
0-2020	Original Specification	SP	2020-06-19

Warranty: For a period of one (1) year from date of shipping under normal operations conditions This warranty does not apply to products damaged through misuse, abuse, improper installation, alteration, rework, or attempt to repair.

The information contained herein is believed to be correct, but no guarantee or warranty, express or implied, with respect to accuracy, completeness or results is extended and no liability is assumed. Challenge Electronics reserves the right to make changes in any specification, data or material contained herein.