

INDICATORS • SPEAKERS • SOUND TRANSDUCERS • ENCLOSURES • MICROPHONES • BATTERY ACCESSORIES

## CS40-02D70-11-1X

Former P/N: CES400V115DA08PMN700TR

Rev. 2-2019  
 RoHS3 & REACH & IP65  
 Oval Speakers



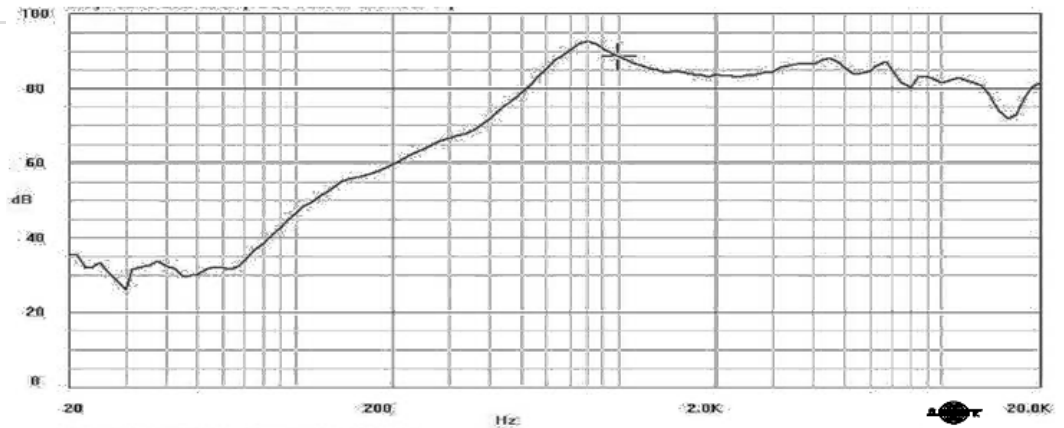
### Operating Characteristics

#### ELECTRICAL

Rated Power	2.0 W
Short Term Max Power	3.0 W
Impedance	8 Ω ± 15 % 900 Hz; 0.125 W

#### ACOUSTIC: Baffle Board

$f_0$	700 Hz ± 20 % 0.125 W
Freq. Range	700 to 15000 Hz
Rated SPL	86 ± 3 dB 800, 1000, 1200, 1500 Hz; 1.0 W; 50 cm;
Distortion	<5 % 1000 Hz; 1 W



### Physical Characteristics

#### MATERIALS

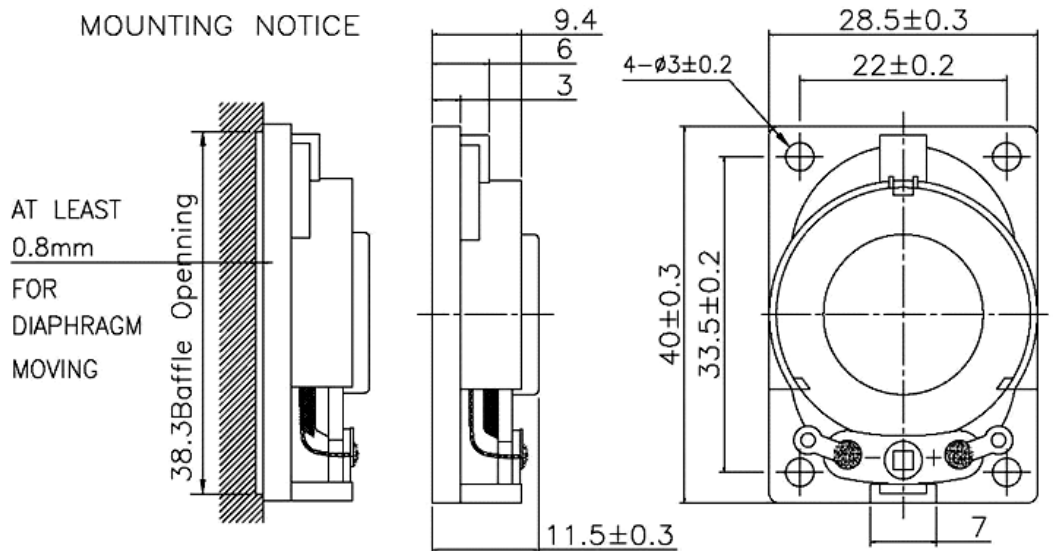
Housing	Plastic
Cone	Mylar
Magnet	NdFeB
Solder Tab	Tin Plated Iron

#### TEMPERATURE RANGES

Operating	-25 to +60 °C
Storage	-25 to +60 °C

Weight 12.6 g

#### MOUNTING NOTICE



Revision	Description	By	Date
1-2013	Updated Specifications Format	EZ	2019-08-08
2-2019	Migrate to new format	JL	2019-03-26

Warranty: For a period of one (1) year from date of shipping under normal operations conditions This warranty does not apply to products damaged through misuse, abuse, improper installation, alteration, rework, or attempt to repair.

The information contained herein is believed to be correct, but no guarantee or warranty, express or implied, with respect to accuracy, completeness or results is extended and no liability is assumed. Challenge Electronics reserves the right to make changes in any specification, data or material contained herein.