

INDICATORS • SPEAKERS • SOUND TRANSDUCERS • ENCLOSURES • MICROPHONES • BATTERY ACCESSORIES

CS40-02P45-05-1

Former P/N: CES400R051DA04SMN450SUR

Rev. 2-2019
RoHS3 & REACH
Round Speakers



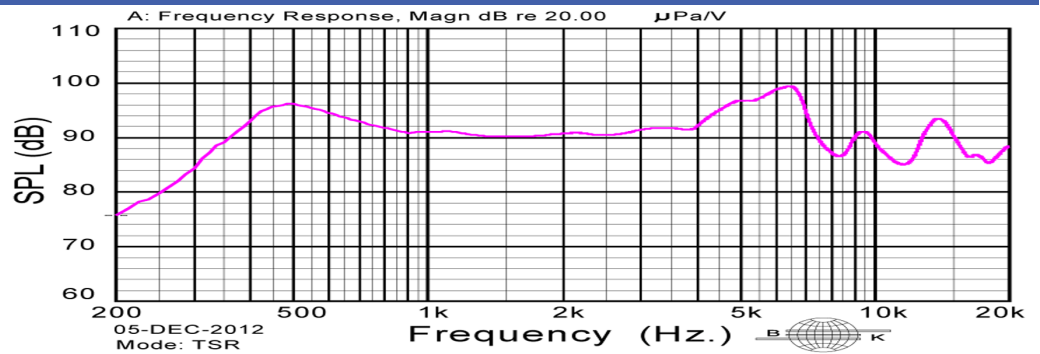
Operating Characteristics

ELECTRICAL

Rated Power	2.0 W
Short Term Max Power	3.0 W
Impedance	4 Ω ± 15 % 2000 Hz; 0.25 W

ACOUSTIC: Baffle Board

f_0	450 Hz ± 20 % 0.25 W
Freq. Range	450 to 8000 Hz
Rated SPL	93 ± 3 dB 600, 800, 1000, 1200 Hz; 0.1 W; 10 cm;
Distortion	<5 % 1000 Hz; 0.5 W



Physical Characteristics

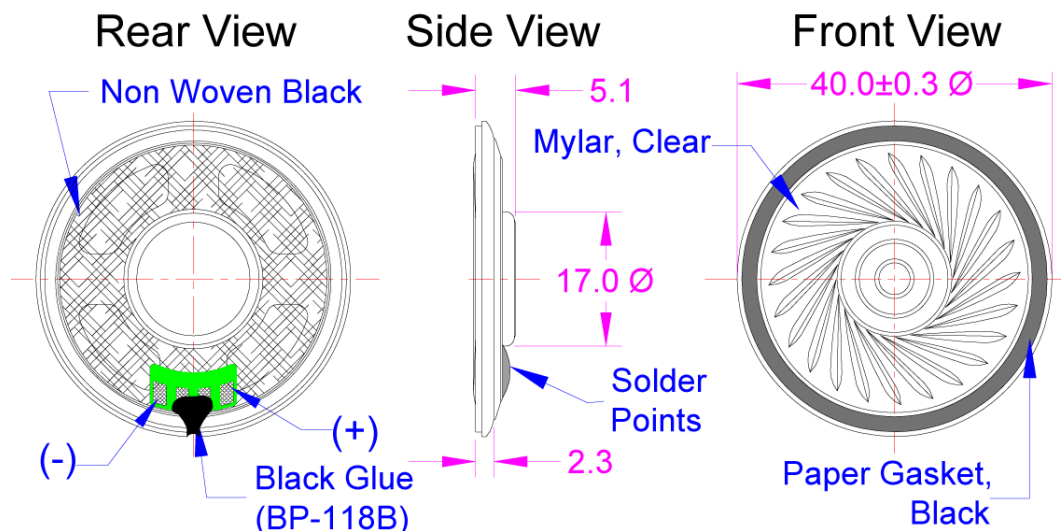
MATERIALS

Housing	Steel
Cone	Mylar
Magnet	NdFeB
Solder Pad	Tin Plated Copper

TEMPERATURE RANGES

Operating	-30 to +70 °C
Storage	-40 to +85 °C

Weight 9.3 g



Revision	Description	By	Date
1-2013	Changed dimensions tolerance, test voltage input power, and distortion power	EZ	2013-07-31
2-2019	Migrate to new format	WS	2019-06-21

Warranty: For a period of one (1) year from date of shipping under normal operations conditions This warranty does not apply to products damaged through misuse, abuse, improper installation, alteration, rework, or attempt to repair.

The information contained herein is believed to be correct, but no guarantee or warranty, express or implied, with respect to accuracy, completeness or results is extended and no liability is assumed. Challenge Electronics reserves the right to make changes in any specification, data or material contained herein.