

INDICATORS • SPEAKERS • SOUND TRANSDUCERS • ENCLOSURES • MICROPHONES • BATTERY ACCESSORIES

## CS40-02P60-05-1

Former P/N: CES400V058CF8SCN600UR

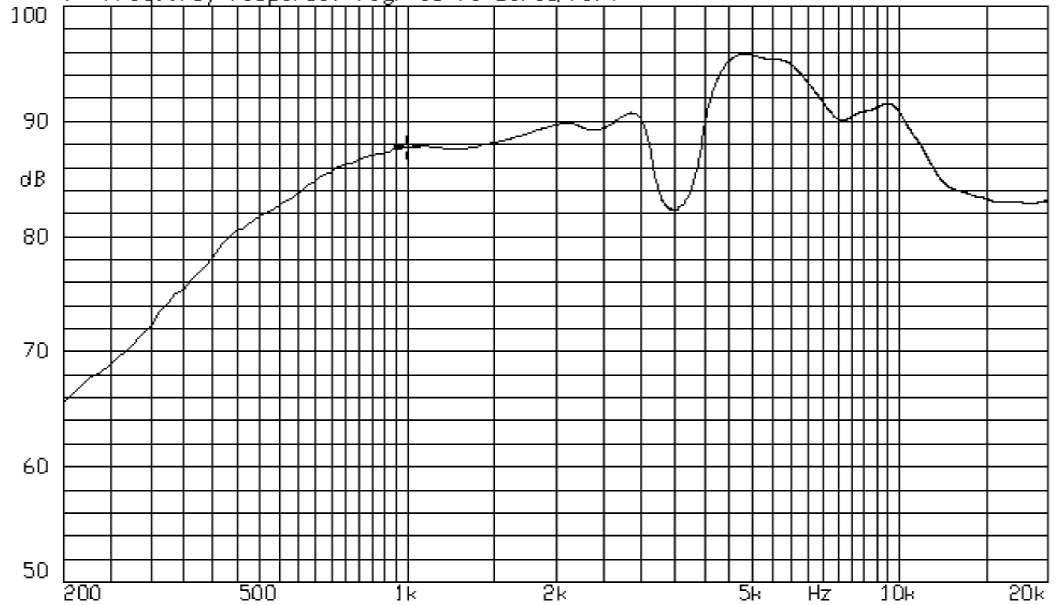
Rev. 2-2019  
RoHS3 & REACH  
Oval Speakers



### Operating Characteristics

| ELECTRICAL             |   |
|------------------------|---|
| Rated Power            | 2.0 W   |
| Short Term Max Power   | 2.5 W   |
| Impedance              | 8 Ω ± 15 %<br>2000 Hz; 0.125 W                          |
| ACOUSTIC: Baffle Board |   |
| $f_0$                  | 600 Hz ± 20 %<br>0.125 W                                |
| Freq. Range            | 600 to 20000 Hz   |
| Rated SPL              | 86 ± 3 dB<br>800, 1000, 1200, 1500 Hz;<br>0.1 W; 10 cm; |
| Distortion             | <5 %<br>1000 Hz; 0.1 W                                  |

X: 993.75Hz Y: 87.72dB ZA: Live Curve TSR fund.  
A: Frequency Response, Magn dB re 20.00μPa/V

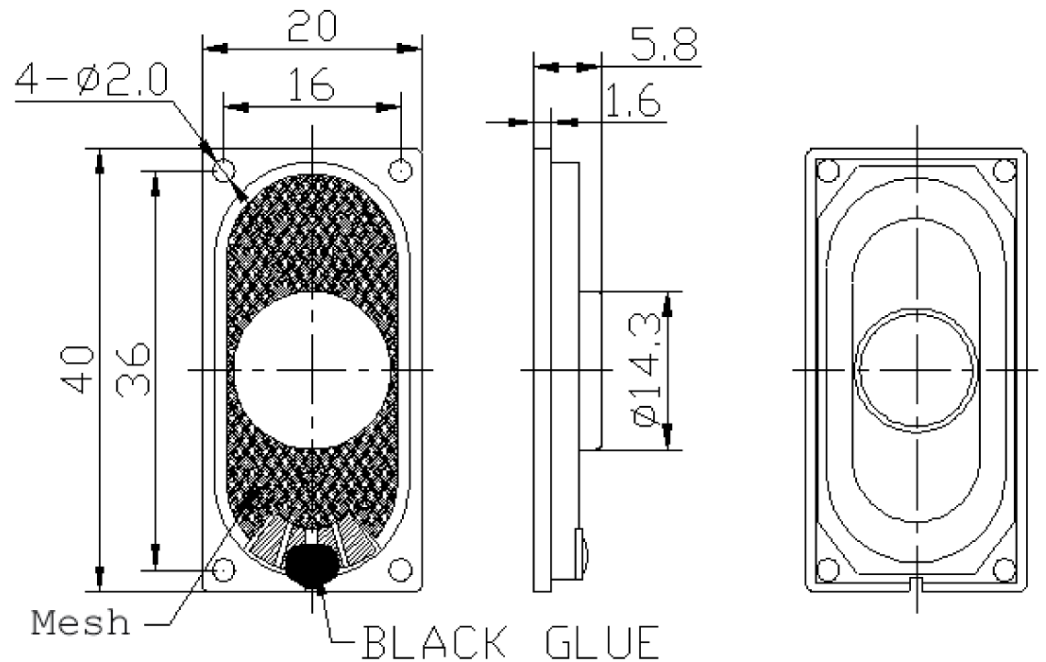


### Physical Characteristics

| MATERIALS  |                   |
|------------|-------------------|
| Housing    | Steel             |
| Cone       | Cloth             |
| Magnet     | NdFeB             |
| Solder Pad | Tin Plated Copper |

| TEMPERATURE RANGES |               |
|--------------------|---------------|
| Operating          | -20 to +60 °C |
| Storage            | -30 to +70 °C |

|        |       |
|--------|-------|
| Weight | 7.6 g |
|--------|-------|



| Revision | Description             | By | Date       |
|----------|-------------------------|----|------------|
| 1-2016   | Revised to No Shielding | WS | 2016-03-16 |
| 2-2019   | Migrate to new format   | WS | 2019-06-21 |

Warranty: For a period of one (1) year from date of shipping under normal operations conditions This warranty does not apply to products damaged through misuse, abuse, improper installation, alteration, rework, or attempt to repair.