

INDICATORS • SPEAKERS • SOUND TRANSDUCERS • ENCLOSURES • MICROPHONES • BATTERY ACCESSORIES

CS40-02W45-12-1

Former P/N: CES400V120DA08PCN450W40R

Rev. 1-2019
RoHS3 & REACH
Oval Speakers



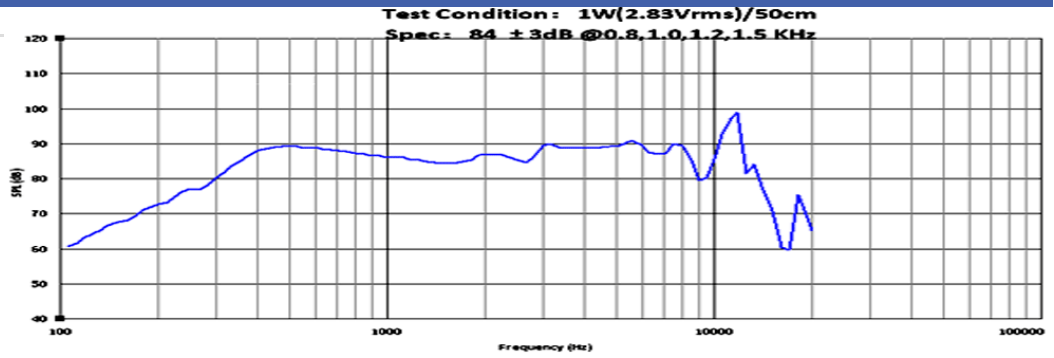
Operating Characteristics

ELECTRICAL

| | |
|----------------------|--------------------------------|
| Rated Power | 2.0 W |
| Short Term Max Power | 3.0 W |
| Impedance | 8 Ω ± 15 % 1000 Hz; 0.125 W |

ACOUSTIC: Baffle Board

| | |
|-------------|---|
| f_0 | 450 Hz ± 20 % 0.125 W |
| Freq. Range | 450 to 20000 Hz |
| Rated SPL | 84 ± 3 dB 800, 1000, 1200, 1500 Hz; 1.0 W; 50 cm; |
| Distortion | <5 % 1000 Hz; 0.125 W |



Physical Characteristics

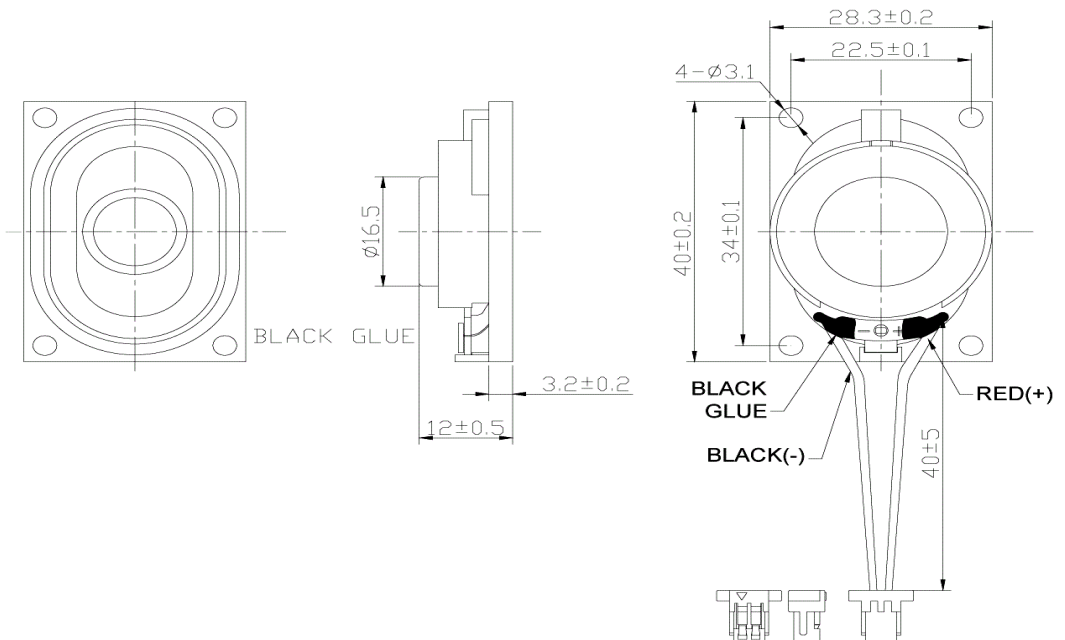
MATERIALS

| | |
|-----------|-----------------|
| Housing | Plastic |
| Cone | Cloth and Paper |
| Magnet | NdFeB |
| Wire | UL 1571, 28 AWG |
| Connector | JST-SHR-02V-S-B |

TEMPERATURE RANGES

| | |
|-----------|---------------|
| Operating | -20 to +50 °C |
| Storage | -30 to +60 °C |

Weight 15 g



| Revision | Description | By | Date |
|----------|-----------------------|----|------------|
| 1-2019 | Migrate to new format | JL | 2019-06-21 |

Warranty: For a period of one (1) year from date of shipping under normal operations conditions This warranty does not apply to products damaged through misuse, abuse, improper installation, alteration, rework, or attempt to repair.