

INDICATORS • SPEAKERS • SOUND TRANSDUCERS • ENCLOSURES • MICROPHONES • BATTERY ACCESSORIES

CS40-02W55-06-1

Former P/N: CES400V060DA08PCN550W40R

Rev. 1-2019
RoHS3 & REACH
Oval Speakers



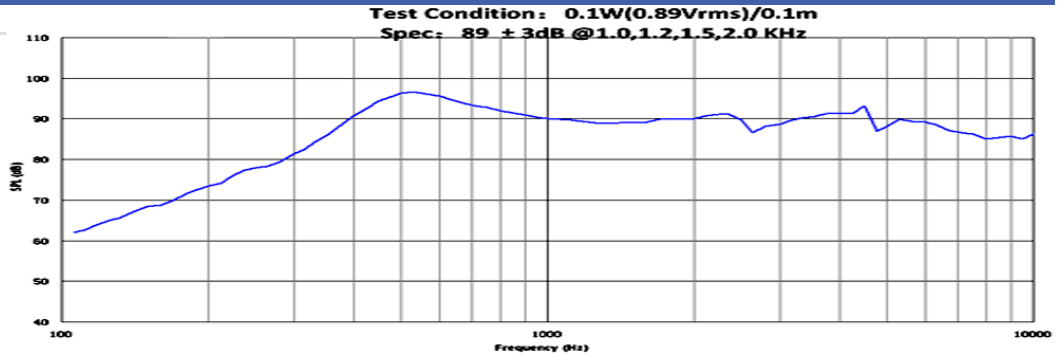
Operating Characteristics

ELECTRICAL

Rated Power	2.0 W
Short Term Max Power	3.0 W
Impedance	8 Ω ± 15 % 1000 Hz; 0.125 W

ACOUSTIC: Baffle Board

f_0	550 Hz ± 20 % 0.125 W
Freq. Range	550 to 20000 Hz
Rated SPL	89 ± 3 dB 1000, 1200, 1500, 2000 Hz; 0.1 W; 10 cm;
Distortion	<5 % 1000 Hz; 0.125 W



Physical Characteristics

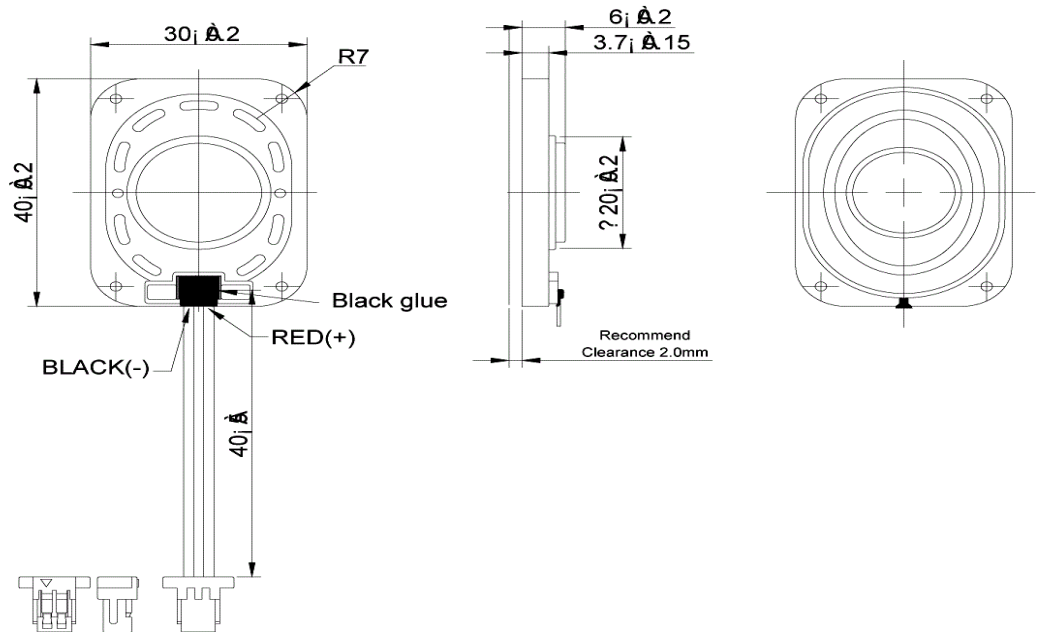
MATERIALS

Housing	Plastic
Cone	Cloth and Paper
Magnet	NdFeB
Wire	UL 1571, 28 AWG
Connector	JST-SHR-02V-S-B

TEMPERATURE RANGES

Operating	-20 to +60 °C
Storage	-40 to +85 °C

Weight 8 g



Revision	Description	By	Date
1-2019	Migrate to new format	WS	2019-06-21

Warranty: For a period of one (1) year from date of shipping under normal operations conditions This warranty does not apply to products damaged through misuse, abuse, improper installation, alteration, rework, or attempt to repair.