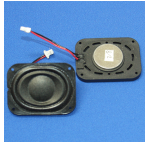


## CS40-02W55-06-1

Former P/N: CES400V060DA08PCN550W40R

Rev. 2-2023  
RoHS3 & REACH  
Oval Speakers



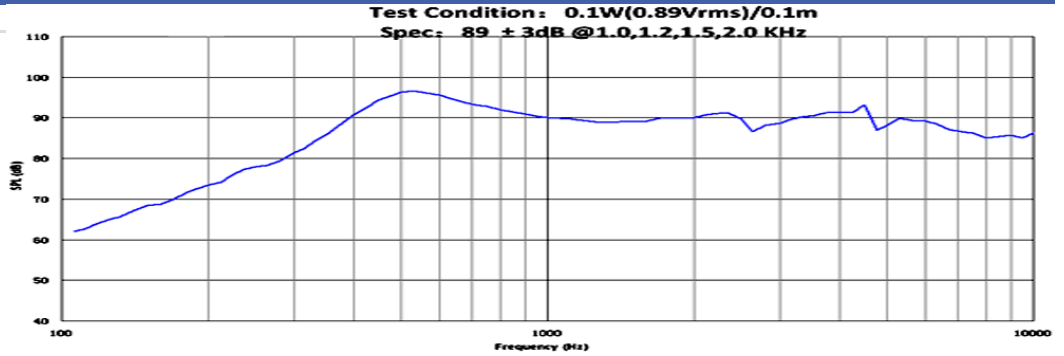
### Operating Characteristics

#### ELECTRICAL

Rated Power	2.0 W
Short Term Max Power	3.0 W
Impedance	8 Ω ± 15 % 1000 Hz; 0.125 W

#### ACOUSTIC: Baffle Board

$f_o$	550 Hz ± 20 % 0.125 W
Freq. Range	550 to 20000 Hz
Rated SPL	89 ± 3 dB 1000, 1200, 1500, 2000 Hz; AVG; 0.1 W; 10 cm;
Distortion	<5 % 1000 Hz; 0.125 W



### Physical Characteristics

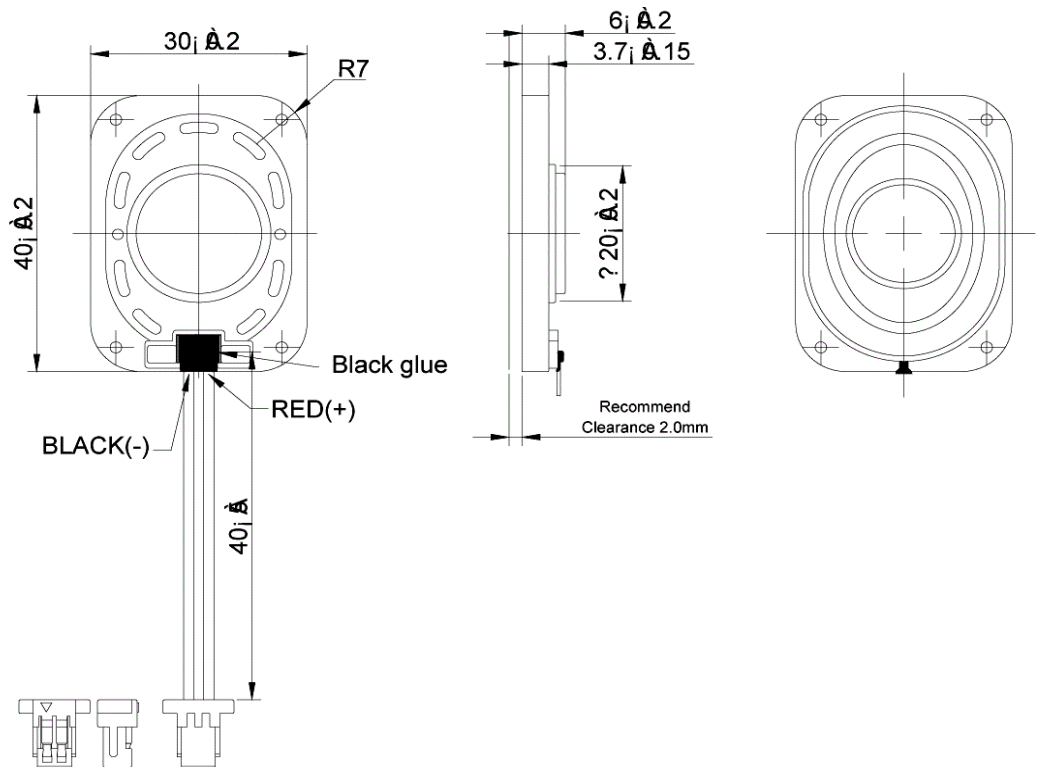
#### MATERIALS

Housing	Plastic
Cone	Cloth and Paper
Magnet	NdFeB
Wire	UL 1571, 28 AWG
Connector	JST-SHR-02V-S-B

#### TEMPERATURE RANGES

Operating	-20 to +60 °C
Storage	-40 to +85 °C

Weight 8 g



All measurements in mm unless otherwise noted.

Revision	Description	By	Date
1-2019	Migrate to new format	WS	2019-06-21
2-2023	Added part image.	SK	2023-05-10

---

abuse, improper installation, alteration, rework, or attempt to repair.

---

The information contained herein is believed to be correct, but no guarantee or warranty, express or implied, with respect to accuracy, completeness or results is extended and no liability is assumed. Challenge Electronics reserves the right to make changes in any specification, data or material contained herein.

©2023 Challenge Electronics, Inc. Pub. 20230510101925