

INDICATORS • SPEAKERS • SOUND TRANSDUCERS • ENCLOSURES • MICROPHONES • BATTERY ACCESSORIES

## CS40-03D16-20-1

Former P/N: CES400R200EA04SMN160TR

Rev. 1-2019  
 RoHS3 & REACH  
 Round Speakers



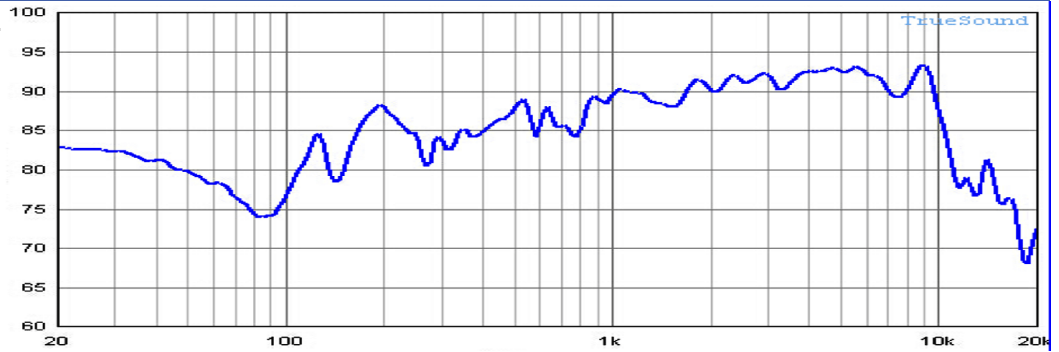
### Operating Characteristics

#### ELECTRICAL

Rated Power	3.0 W
Short Term Max Power	4.0 W
Impedance	4 Ω ± 15 % 1000 Hz; 0.25 W

#### ACOUSTIC: Baffle Board

$f_0$	160 Hz ± 20 % 0.25 W
Freq. Range	160 to 20000 Hz
Rated SPL	88 ± 3 dB 1000 Hz; 1.0 W; 50 cm;
Distortion	<5 % 1000 Hz; 0.25 W



### Physical Characteristics

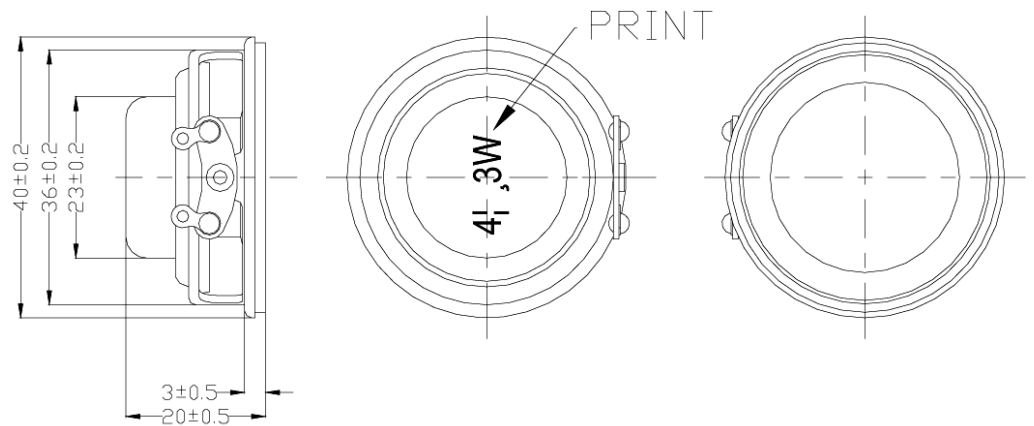
#### MATERIALS

Housing	Steel
Cone	PU
Magnet	NdFeB
Solder Tab	Tin Plated Iron

#### TEMPERATURE RANGES

Operating	-25 to +70 °C
Storage	-25 to +70 °C

Weight 28 g



Revision	Description	By	Date
1-2019	Migrate to new format	WS	2019-06-21

Warranty: For a period of one (1) year from date of shipping under normal operations conditions This warranty does not apply to products damaged through misuse, abuse, improper installation, alteration, rework, or attempt to repair.