

INDICATORS • SPEAKERS • SOUND TRANSDUCERS • ENCLOSURES • MICROPHONES • BATTERY ACCESSORIES

CS40-03P48-09-2X

Former P/N: CES400V094EA8PMN480UR

 Rev. 2-2019
 RoHS3 & REACH & IP65
 Oval Speakers

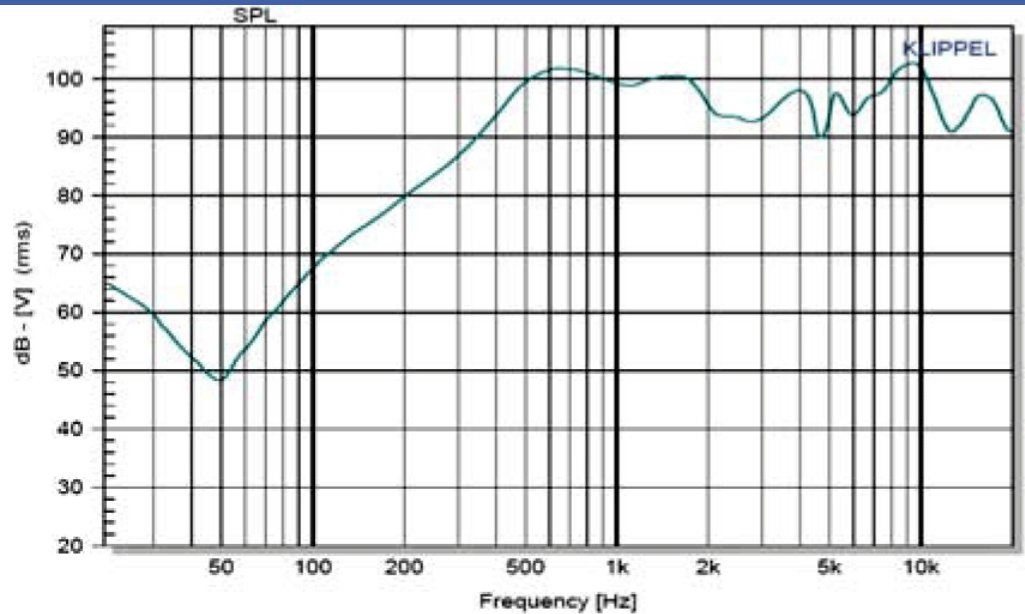

Operating Characteristics

ELECTRICAL

Rated Power	3 W
Short Term Max Power	4 W
Impedance	8.3 Ω ± 15 % 1000 Hz; 0.12 W

ACOUSTIC: Baffle Board

f_0	480 Hz ± 20 % 0.12 W
Freq. Range	480 to 20000 Hz
Rated SPL	95 ± 3 dB 1000, 2000, 3000, 4000 Hz; 1.0 W; 10 cm;
Distortion	<5 % 1000 Hz; 0.1 W



Physical Characteristics

MATERIALS

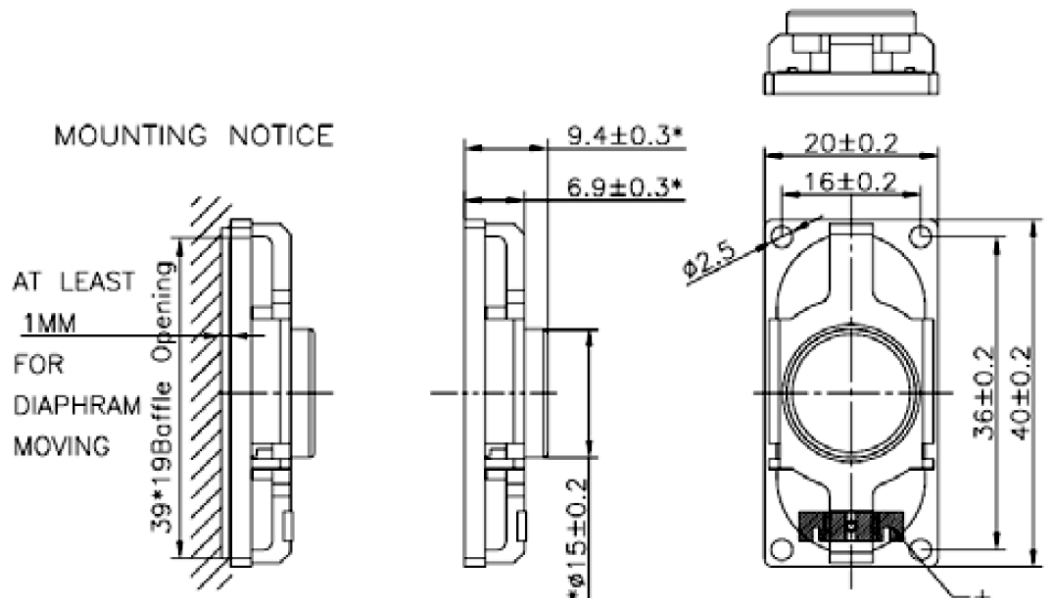
Housing	Plastic
Cone	Mylar
Magnet	NdFeB
Solder Pad	Tin Plated Copper

TEMPERATURE RANGES

Operating	-25 to +60 °C
Storage	-30 to +70 °C

Weight 8 g

MOUNTING NOTICE



Revision	Description	By	Date
1-2013	Updated Specifications Format	EZ	2013-08-08
2-2019	Migrate to new format. Updated Impedance from 8 ohms to 8.3 ohms at 0.12 W, 1000 Hz.	JL	2019-07-11

Warranty: For a period of one (1) year from date of shipping under normal operations conditions This warranty does not apply to products damaged through misuse, abuse, improper installation, alteration, rework, or attempt to repair.

The information contained herein is believed to be correct, but no guarantee or warranty, express or implied, with respect to accuracy, completeness or results is extended and no liability is assumed. Challenge Electronics reserves the right to make changes in any specification, data or material contained herein.

©2019 Challenge Electronics, Inc. 20190826155114