

CS40-05D15-21-1

Rev. 0-2019
RoHS3 & REACH
Round Speakers



Operating Characteristics

ELECTRICAL

Test condition: 1.0W/0.5M,

Rated Power	5.0 W
Short Term Max Power	5.5 W
Impedance	4 Ω ± 15 % 2000 Hz; 5 W

SPL



ACOUSTIC: Baffle Board

f_0	150 Hz ± 20 % 0.25 W
Freq. Range	150 to 10000 Hz
Rated SPL	84 ± 3 dB 800, 1000, 1200, 1500 Hz; 1 W; 50 cm;
Distortion	<5 % 1000 Hz; 1 W

Physical Characteristics

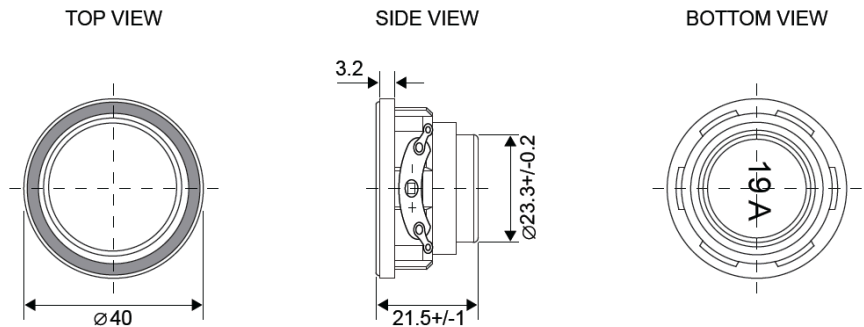
MATERIALS

Housing	Plastic
Cone	Paper Cone with PU Edge
Magnet	NdFeB
Solder Tab	Tin Plated Copper

TEMPERATURE RANGES

Operating	-20 to +60 °C
Storage	-30 to +70 °C

Weight 29.1 g



Year:
19=2019
20=2020
Month:
A=Jan
B=Feb

All dimensions are in mm

Revision	Description	By	Date
0-2019	Initial Specification Sheet	CF	2019-08-14

Warranty: For a period of one (1) year from date of shipping under normal operations conditions This warranty does not apply to products damaged through misuse, abuse, improper installation, alteration, rework, or attempt to repair.