

INDICATORS • SPEAKERS • SOUND TRANSDUCERS • ENCLOSURES • MICROPHONES • BATTERY ACCESSORIES

CS40-05D18-21-1

Former P/N: CS400-0518-211

Rev. 1-2019
RoHS3 & REACH
Round Speakers



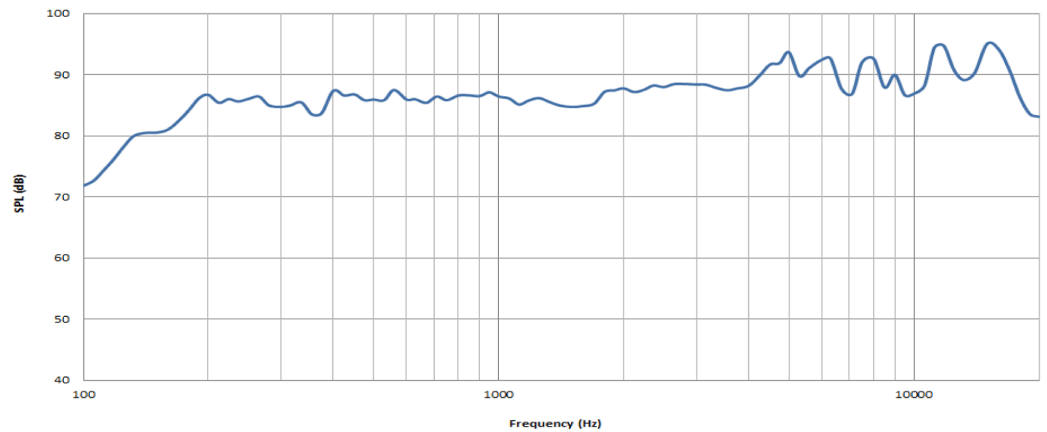
Operating Characteristics

ELECTRICAL

Rated Power	5.0 W
Short Term Max Power	6.0 W
Impedance	4 Ω ± 15 % 1000 Hz; 0.25 W

ACOUSTIC: Baffle Board

f_0	180 Hz ± 20 % 0.25 W
Freq. Range	180 to 20000 Hz
Rated SPL	85.7 ± 3 dB 800, 1000, 1600, 2000 Hz; 1 W; 50 cm;
Distortion	<5 % 1000 Hz; 1.0 W



Physical Characteristics

MATERIALS

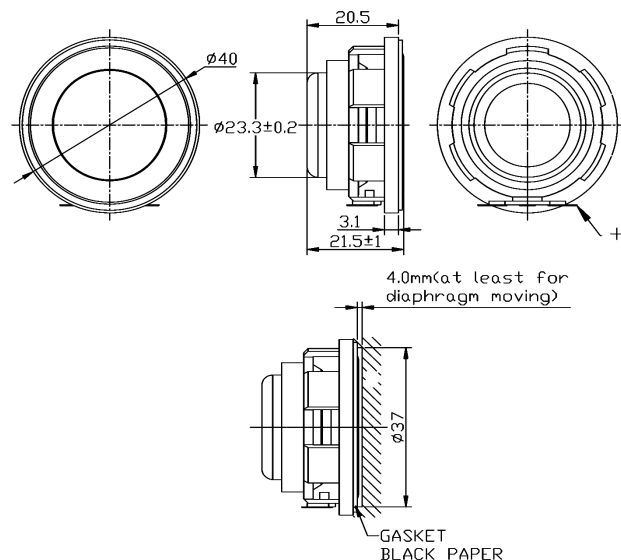
Housing	SPCC Steel
Cone	PU + Paper
Magnet	NdFeB
Solder Tab	Iron

TEMPERATURE RANGES

Operating	-20 to +60 °C
Storage	-30 to +70 °C

Weight 21 g

Unless otherwise specified, tolerance: ±0.5(unit: mm)



Revision	Description	By	Date
0-2019	Initial Specification Sheet	JL	2019-01-14
1-2019	Migrate to new format.	CF	2019-06-24

Warranty: For a period of one (1) year from date of shipping under normal operations conditions This warranty does not apply to products damaged through misuse, abuse, improper installation, alteration, rework, or attempt to repair.

The information contained herein is believed to be correct, but no guarantee or warranty, express or implied, with respect to accuracy, completeness or results is extended and no liability is assumed. Challenge Electronics reserves the right to make changes in any specification, data or material contained herein.

©2019 Challenge Electronics, Inc. 20190826155607