

INDICATORS • SPEAKERS • SOUND TRANSDUCERS • ENCLOSURES • MICROPHONES • BATTERY ACCESSORIES

CS42-01T35-15-1

Former P/N: CES429R193BF08SMN350PR

Rev. 1-2019
RoHS3 & REACH
Round Speakers



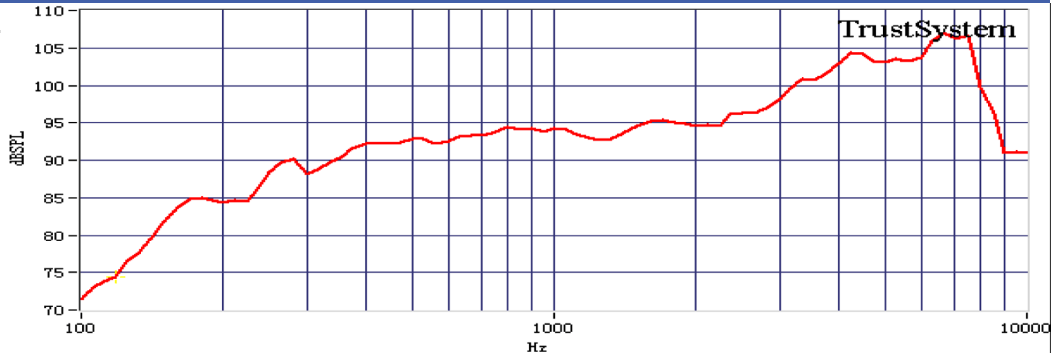
Operating Characteristics

ELECTRICAL

Rated Power	1.0 W
Short Term Max Power	1.5 W
Impedance	8 Ω ± 15 % 1000 Hz; 0.125 W

ACOUSTIC: Baffle Board

f_0	350 Hz ± 20 % 0.125 W
Freq. Range	350 to 10000 Hz
Rated SPL	94 ± 4 dB 1000 Hz; 0.1 W; 10 cm;
Distortion	5 % 1000 Hz; 0.1 W



Physical Characteristics

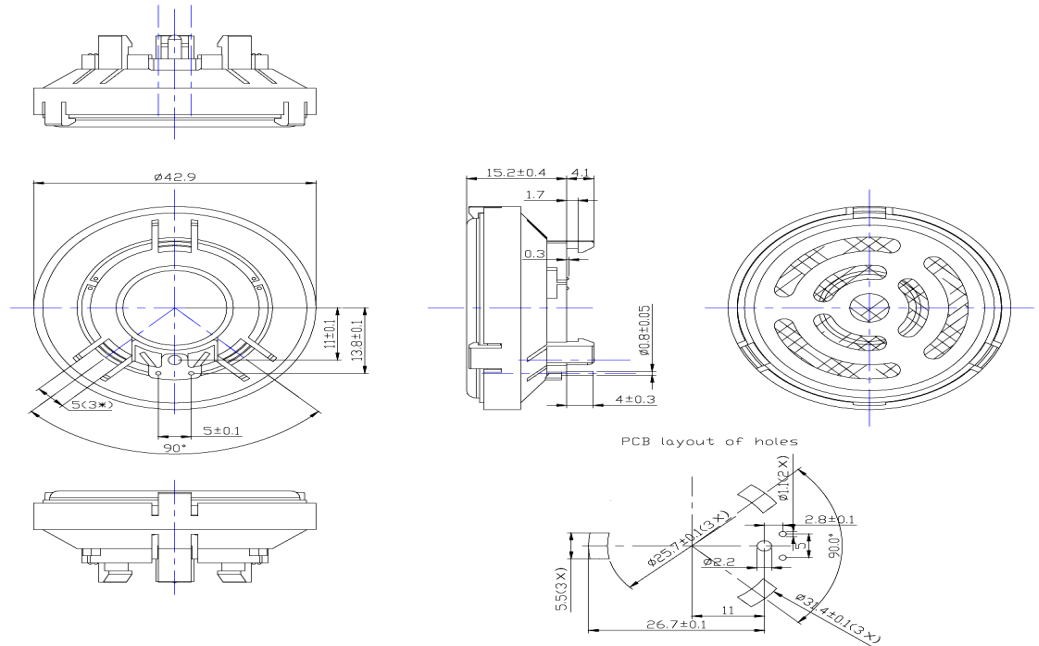
MATERIALS

Housing	Steel
Cone	PEI
Magnet	NdFeB

TEMPERATURE RANGES

Operating	-40 to +85 °C
Storage	-40 to +90 °C

Weight 9.5 g



Revision	Description	By	Date
1-2019	Migrate to new format	WS	2019-06-21

Warranty: For a period of one (1) year from date of shipping under normal operations conditions This warranty does not apply to products damaged through misuse, abuse, improper installation, alteration, rework, or attempt to repair.