

## CS45-04D20-28-1

Rev. 0-2023  
RoHS3 & REACH  
Square Speakers



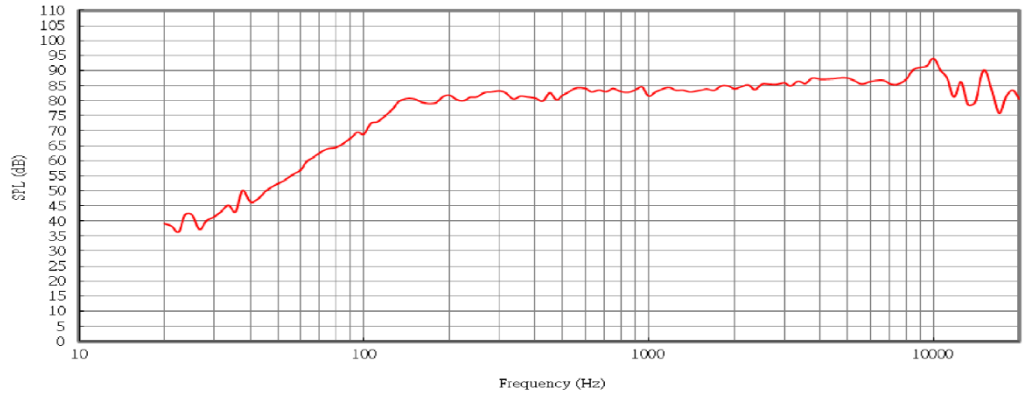
### Operating Characteristics

#### ELECTRICAL

Rated Power	4 W
Short Term Max Power	6 W
Impedance	4 Ω ± 20 % 2000 Hz; 1 W

#### ACOUSTIC: Baffle Board

$f_o$	200 Hz ± 20 % 1 W
Freq. Range	200 to 20,000 Hz
Rated SPL	84 ± 3 1000, 2000, 3000, 4000 Hz; AVG; 1 W; 100 cm;
Distortion	Max 5 % 1000 Hz; 1 W



### Physical Characteristics

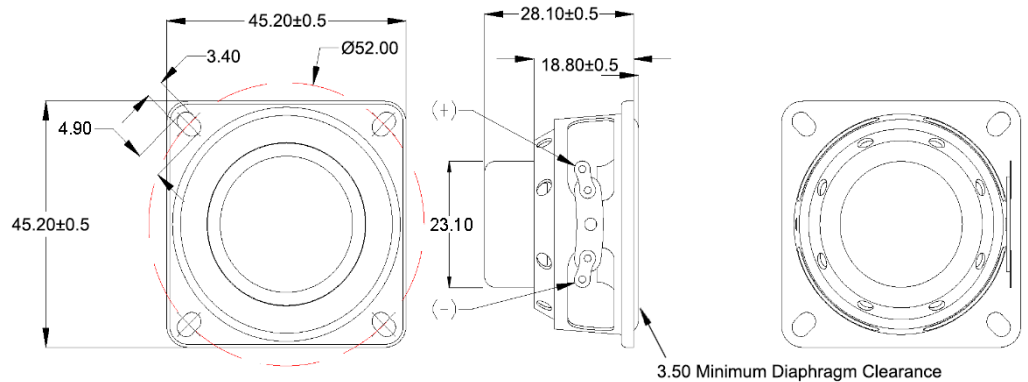
#### MATERIALS

Housing	SPCC
Cone	Foam
Magnet	NdFeB
Solder Tab	Iron

#### TEMPERATURE RANGES

Operating	-20 to +60 °C
Storage	-30 to +70 °C

Weight 36 g



General tolerance = ±0.5 mm and all measurements in mm unless otherwise noted.

Revision	Description	By	Date
0-2023	Original Specification	AL	2023-02-13

Warranty: For a period of one (1) year from date of shipping under normal operations conditions. This warranty does not apply to products damaged through misuse, abuse, improper installation, alteration, rework, or attempt to repair.

The information contained herein is believed to be correct, but no guarantee or warranty, express or implied, with respect to accuracy, completeness or results is extended and no liability is assumed. Challenge Electronics reserves the right to make changes in any specification, data or material contained herein.