

CS45-04D20-28-1

Rev. 2-2024
RoHS3 & REACH
Square Speakers



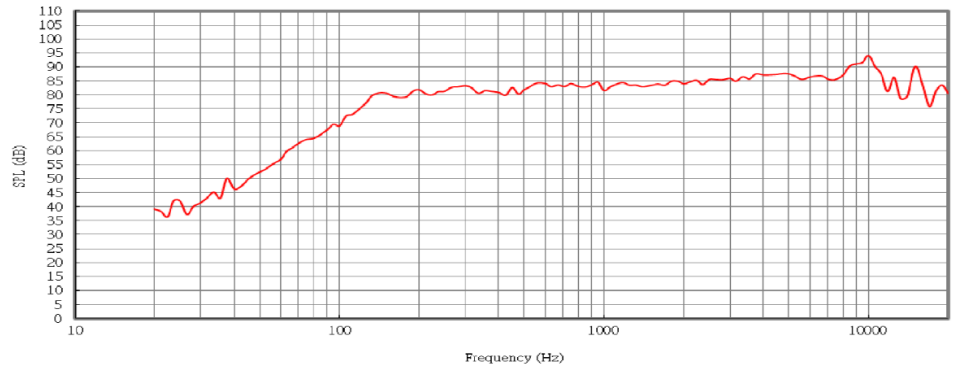
Operating Characteristics

ELECTRICAL

Rated Power	5 W
Short Term Max Power	6 W
Impedance	4 Ω ± 20 % 2000 Hz; 1 W

ACOUSTIC: Baffle Board

f_o	200 Hz ± 20 % 1 W
Freq. Range	160 to 20,000 Hz
Rated SPL	84 ± 3 1000, 2000, 3000, 4000 Hz; AVG; 1 W; 100 cm
Distortion	Max 5 % 1000 Hz; 1 W



Physical Characteristics

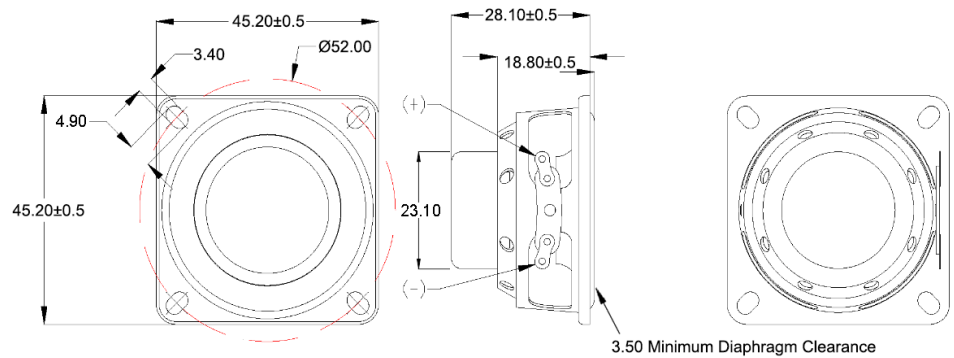
MATERIALS

Housing	SPCC
Cone	Foam
Magnet	NdFeB
Solder Tab	Iron

TEMPERATURE RANGES

Operating	-20 to +60 °C
Storage	-30 to +70 °C

Weight 36 g



General tolerance = ±0.5 mm and all measurements in mm unless otherwise noted.

Revision	Description	By	Date
1-2024	Updated frequency range.	SK	2024-02-22
2-2024	Rated Input Power was changed from 4W to 5W	KG	2024-12-09

Warranty: For a period of one (1) year from date of shipping under normal operations conditions. This warranty does not apply to products damaged through misuse, abuse, improper installation, alteration, rework, or attempt to repair.

The information contained herein is believed to be correct, but no guarantee or warranty, express or implied, with respect to accuracy, completeness or results is extended and no liability is assumed. Challenge Electronics reserves the right to make changes in any specification, data or material contained herein.