

CS45-05D13-24-1X

 Rev. 1-2024
 RoHS3 & REACH
 IP67 Front Face
 Round Speakers

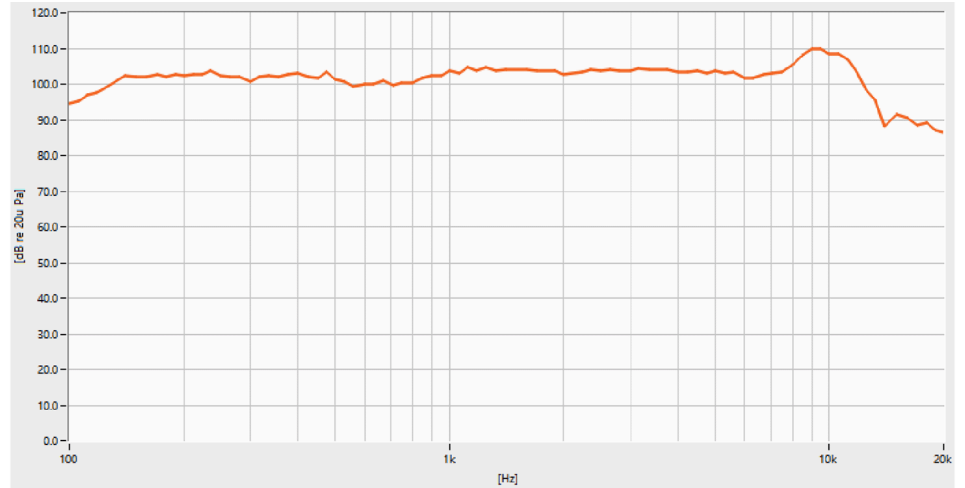

Operating Characteristics

ELECTRICAL

Rated Power	5 W
Short Term Max Power	6 W
Impedance	4 Ω ± 15 % 2000 Hz; 0.25 W

ACOUSTIC: Baffle Board

f_o	130 Hz ± 20 % 0.25 W; 10 cm
Freq. Range	104 to 20000 Hz
Rated SPL	104 ± 3 dB 800, 1000, 1200, 1500 Hz; AVG; 5 W; 10 cm
Distortion	Max 5 % 1000 Hz; 1 W



Physical Characteristics

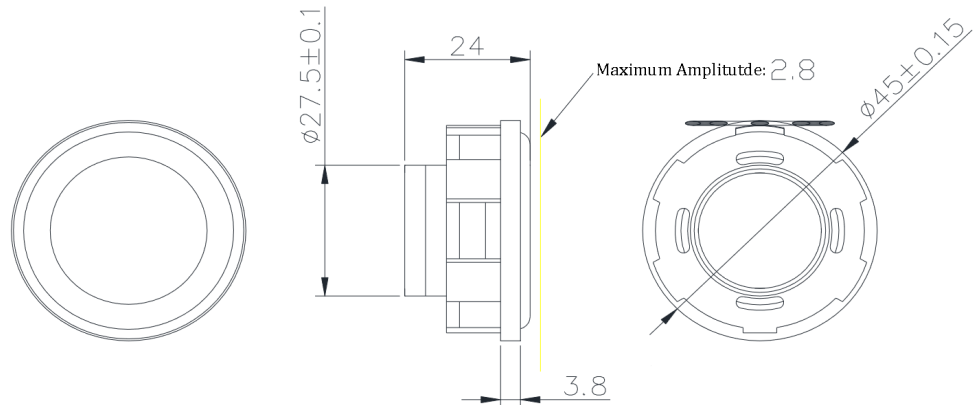
MATERIALS

Housing	PBT
Cone	Rubber and PP
Magnet	NdFeB
Solder Tabs	Iron

TEMPERATURE RANGES

Operating	-40 to +85 °C
Storage	-40 to +85 °C

Weight 30 g



General tolerance = ±0.5 mm and all measurements in mm unless otherwise noted.

Revision	Description	By	Date
0-2023	Original Specification.	SK	2023-11-02
1-2024	Update from IP67 to IP67 Front Face.	JL	2024-08-13

Warranty: For a period of one (1) year from date of shipping under normal operations conditions. This warranty does not apply to products damaged through misuse, abuse, improper installation, alteration, rework, or attempt to repair.

The information contained herein is believed to be correct, but no guarantee or warranty, express or implied, with respect to accuracy, completeness or results is extended and no liability is assumed. Challenge Electronics reserves the right to make changes in any specification, data or material contained herein.