

CS48-05D17-30-1

Rev. 0-2020
RoHS3 & REACH
Square Speakers



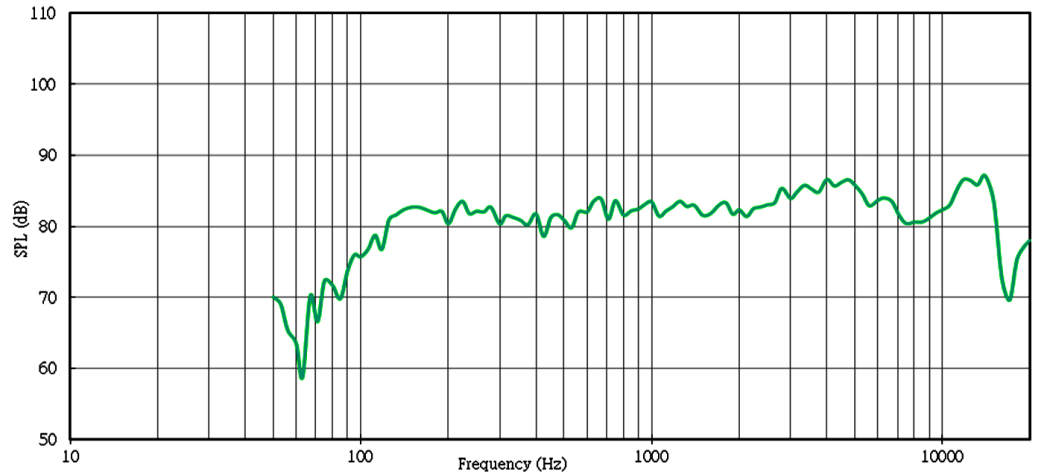
Operating Characteristics

ELECTRICAL

Rated Power	5.0 W
Short Term Max Power	6.0 W
Impedance	4 Ω ± 15 % 1000 Hz; 1.0 W

ACOUSTIC: Baffle Board

f_o	170 Hz ± 20 % 1.0 W
Freq. Range	170 to 20000 Hz
Rated SPL	84 ± 3 dB 2000 - 4000 Hz; 1.0 W; 100 cm;
Distortion	Max 5 % 1000 Hz; 1.0 W



Physical Characteristics

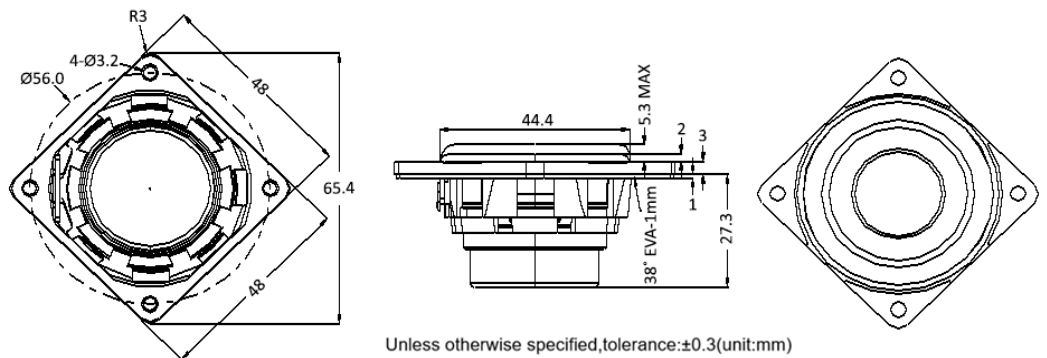
MATERIALS

Housing	Noryl
Cone	Paper + PU Edge
Magnet	NdFeB N40 + N38
Solder Tab	Copper

TEMPERATURE RANGES

Operating	-20 to +60 °C
Storage	-25 to +70 °C

Weight 76 g



Unless otherwise specified, tolerance: ±0.3 (unit:mm)

All Measurements are mm unless noted otherwise.

Revision	Description	By	Date
0-2020	Original Specification	WS	2020-10-21

Warranty: For a period of one (1) year from date of shipping under normal operations conditions This warranty does not apply to products damaged through misuse, abuse, improper installation, alteration, rework, or attempt to repair.

The information contained herein is believed to be correct, but no guarantee or warranty, express or implied, with respect to accuracy, completeness or results is extended and no liability is assumed. Challenge Electronics reserves the right to make changes in any specification, data or material contained herein.