

CS48-05D17-30-1

 Rev. 1-2024
 RoHS3 & REACH
 Square Speakers

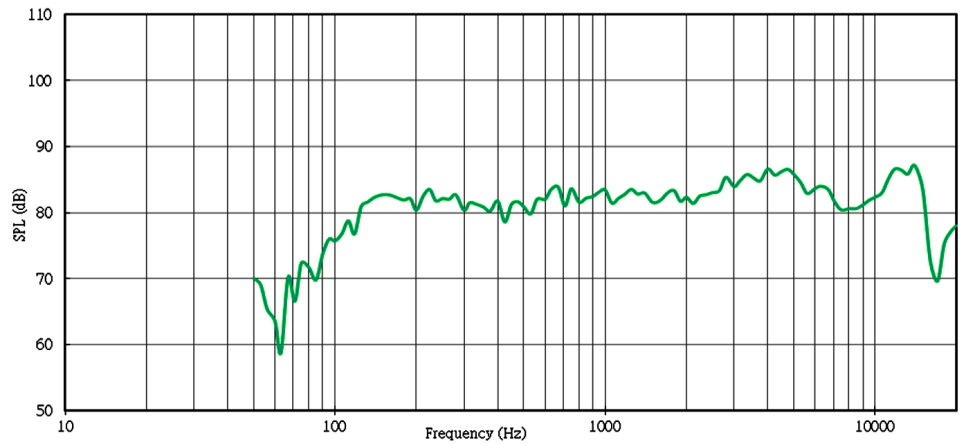

Operating Characteristics

ELECTRICAL

Rated Power	5.0 W
Short Term Max Power	6.0 W
Impedance	4 Ω ± 15 % 1000 Hz; 1.0 W

ACOUSTIC: Baffle Board

f_o	170 Hz ± 20 % 1.0 W
Freq. Range	136 to 20000 Hz
Rated SPL	84 ± 3 dB 2000 - 4000 Hz; AVG; 1.0 W; 100 cm
Distortion	Max 5 % 1000 Hz; 1.0 W



Physical Characteristics

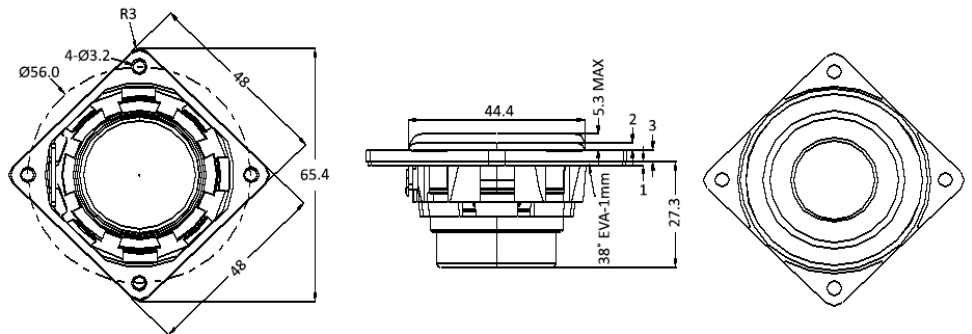
MATERIALS

Housing	Noryl
Cone	Paper + PU Edge
Magnet	NdFeB N40 + N38
Solder Tab	Copper

TEMPERATURE RANGES

Operating	-20 to +60 °C
Storage	-25 to +70 °C

Weight 76 g



General tolerance = ±0.3 mm and all measurements in mm unless otherwise noted.

Revision	Description	By	Date
0-2020	Original Specification	WS	2020-10-21
1-2024	Updated Frequency Range	KG	2024-12-06

Warranty: For a period of one (1) year from date of shipping under normal operations conditions. This warranty does not apply to products damaged through misuse, abuse, improper installation, alteration, rework, or attempt to repair.

The information contained herein is believed to be correct, but no guarantee or warranty, express or implied, with respect to accuracy, completeness or results is extended and no liability is assumed. Challenge Electronics reserves the right to make changes in any specification, data or material contained herein.