

INDICATORS • SPEAKERS • SOUND TRANSDUCERS • ENCLOSURES • MICROPHONES • BATTERY ACCESSORIES

## CS50-01D80-12-1

Former P/N: CES505S120DA8SMN800T

Rev. 2-2019  
RoHS3 & REACH  
Square Speakers



### Operating Characteristics

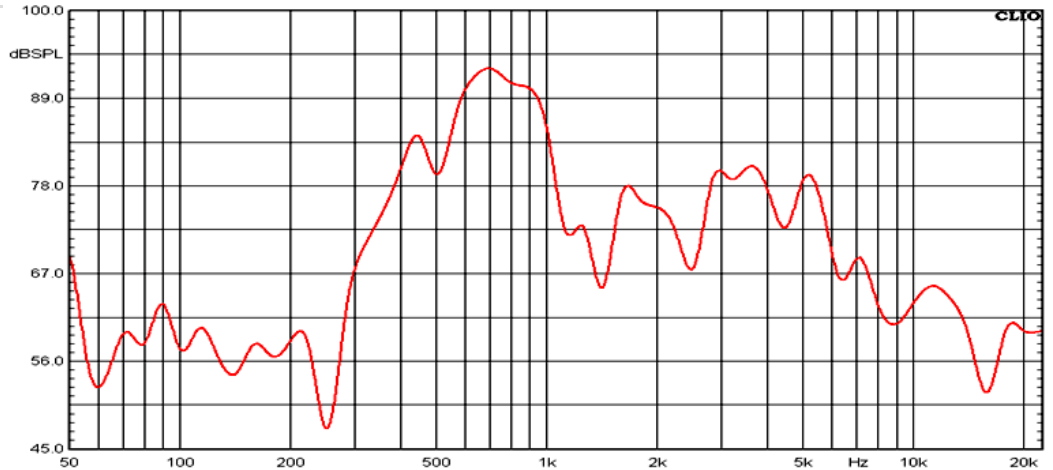
#### ELECTRICAL

Rated Power	1.5 W
Short Term Max Power	3 W
Impedance	8 Ω ± 15 % 1000 Hz; 0.125 W

#### ACOUSTIC: Baffle Board

$f_0$	800 Hz ± 20 % 0.125 W
Freq. Range	800 to 6000 Hz
Rated SPL	85 ± 3 dB 800, 1000, 1500, 2000 Hz; 1.0 W; 100 cm;
Distortion	<5 % 1000 Hz; 1.5 W

#### SPL at 1m1W



### Physical Characteristics

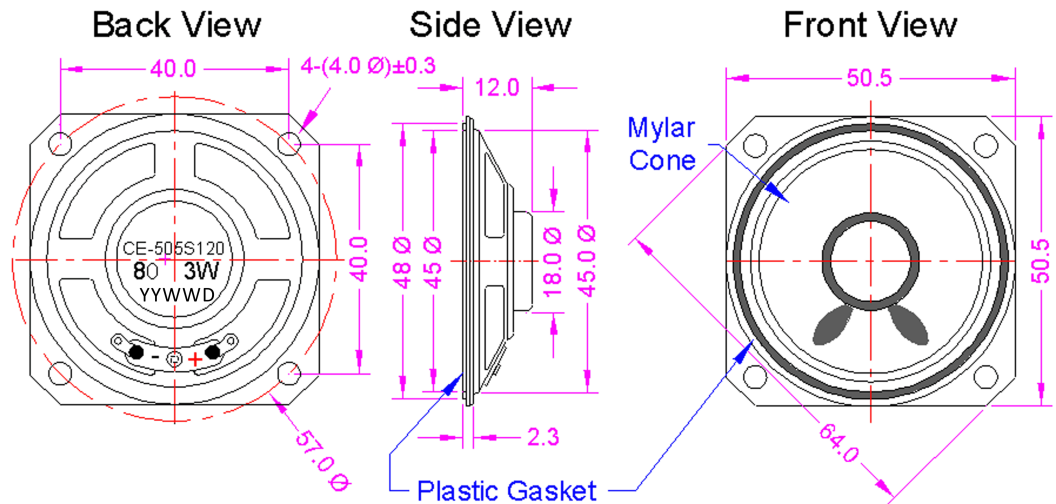
#### MATERIALS

Housing	Steel
Cone	Mylar
Magnet	NdFeB
Solder Tab	Copper, Gold Plated

#### TEMPERATURE RANGES

Operating	-25 to +60 °C
Storage	-30 to +70 °C

Weight 17.5 g



Revision	Description	By	Date
1-2015	Modify date code from YYWW to YYWWD	WS	2015-03-06
2-2019	Migrate to new format.	CF	2019-06-24

Warranty: For a period of one (1) year from date of shipping under normal operations conditions This warranty does not apply to products damaged through misuse, abuse, improper installation, alteration, rework, or attempt to repair.

The information contained herein is believed to be correct, but no guarantee or warranty, express or implied, with respect to accuracy, completeness or results is extended and no liability is assumed. Challenge Electronics reserves the right to make changes in any specification, data or material contained herein.