

CS50-01W35-07-1

Rev. 1-2020
RoHS3 & REACH
Round Speakers



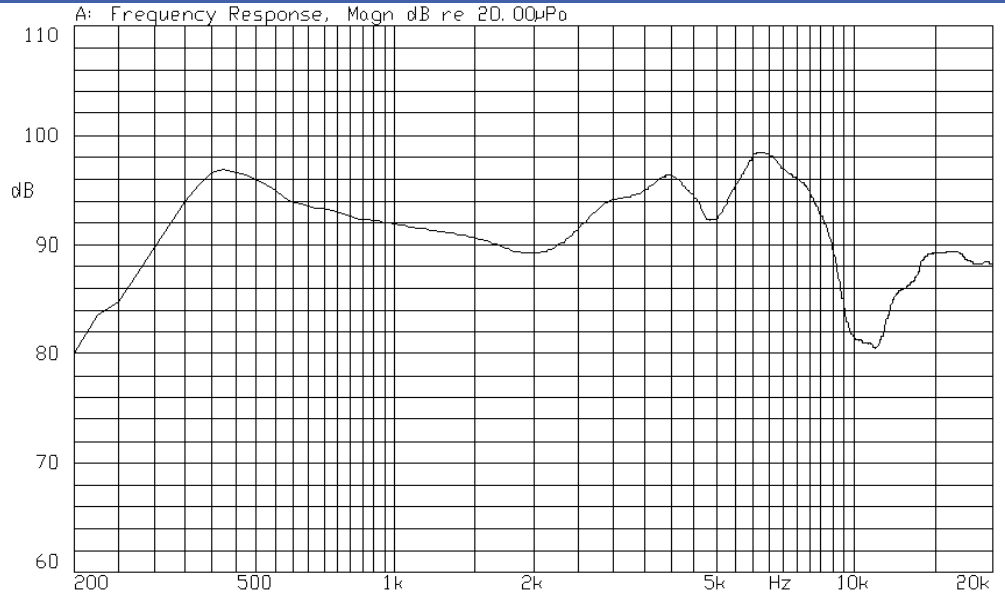
Operating Characteristics

ELECTRICAL

Rated Power	1.5 W
Short Term Max Power	2.0 W
Impedance	8 Ω ± 15 % 2000 Hz; 0.125 W

ACOUSTIC: Baffle Board

f_0	350 Hz ± 20 % 0.125 W
Freq. Range	350 to 20000 Hz
Rated SPL	92 ± 3 dB 600, 800, 1000, 1200 Hz; 0.1 W; 10 cm;
Distortion	<5 % 1000 Hz; 1.0 W



22-APR-2008 16: 22: 42

Mode: TSR



Physical Characteristics

MATERIALS

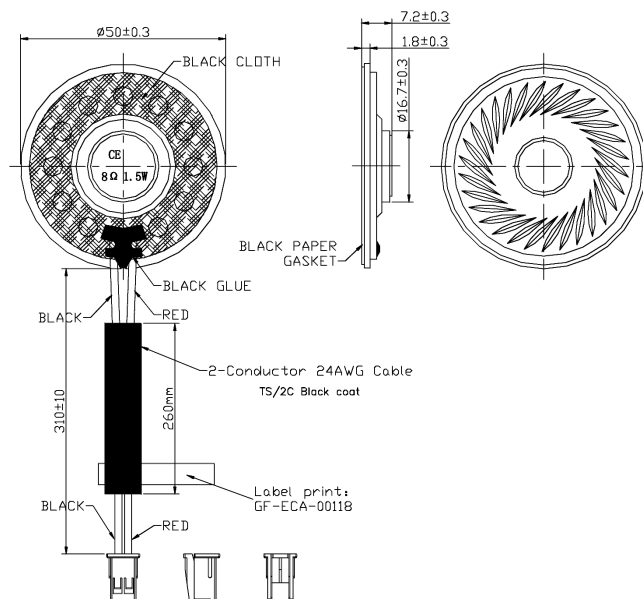
Housing	SPCC
Cone	Clear PET
Magnet	NdFeB
Wire	UL2464, 24AWG
Connector	TE:1969442-2P
Crimp Terminals	TE:2110989-1

TEMPERATURE RANGES

Operating	-20 to +60 °C
Storage	-30 to +65 °C

Weight 18.5 g

Unless otherwise specified, tolerance: ±0.5(unit:mm)



Revision	Description	By	Date
0-2019	Initial Specification	CF	2019-07-22
1-2020	Updated connector (A2508HA-2P to TE:1969442-2P) and terminals (A2508-TP to TE:2110989-1). Added label.	JL	2020-04-13

Warranty: For a period of one (1) year from date of shipping under normal operations conditions This warranty does not apply to products damaged through misuse, abuse, improper installation, alteration, rework, or attempt to repair.

The information contained herein is believed to be correct, but no guarantee or warranty, express or implied, with respect to accuracy, completeness or results is extended and no liability is assumed. Challenge Electronics reserves the right to make changes in any specification, data or material contained herein.