

INDICATORS • SPEAKERS • SOUND TRANSDUCERS • ENCLOSURES • MICROPHONES • BATTERY ACCESSORIES

# CS50-02D26-18-1

Former P/N: CS500-0226-181

 Rev. 1-2019  
 RoHS3 & REACH  
 Round Speakers

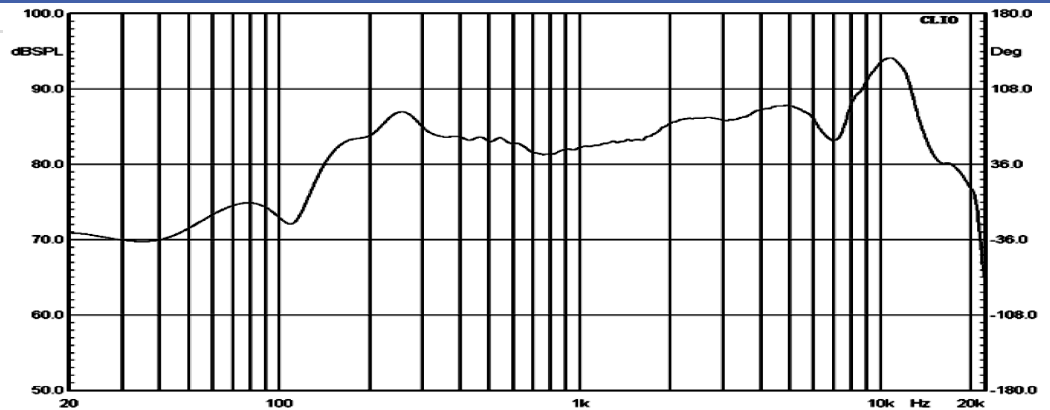

## Operating Characteristics

### ELECTRICAL

Rated Power	2.0 W
Short Term Max Power	3.0 W
Impedance	8 Ω ± 15 % 1000 Hz; 0.125 W

### ACOUSTIC: Baffle Board

$f_0$	260 Hz ± 20 % 0.125 W
Freq. Range	260 to 20000 Hz
Rated SPL	80 ± 3 dB 800, 1000, 1200, 1500 Hz; 1 W; 50 cm;
Distortion	Maximum 5 % at 1000 Hz; 0.125 W



## Physical Characteristics

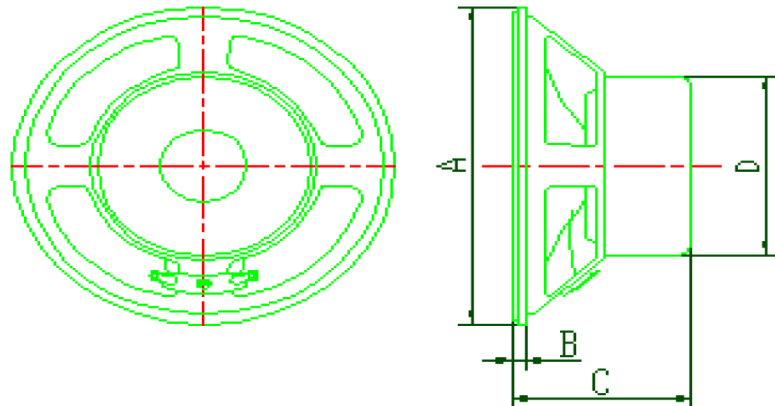
### MATERIALS

Housing	Steel
Cone	PU + Paper
Magnet	NdFeB

### TEMPERATURE RANGES

Operating	-20 to +60 °C
Storage	-30 to +70 °C

Weight	22 g
--------	------



SPEAKER DIMENSION			
A	B	C	D
Φ 50 ± 0.5 mm	2.5 ± 0.5 mm	18 ± 1.0 mm	Φ 19.5 ± 1.0 mm

Revision	Description	By	Date
0-2018	Initial Specification Sheet	JL	2018-08-17
1-2019	Migrate to new format.	CF	2019-06-24

Warranty: For a period of one (1) year from date of shipping under normal operations conditions This warranty does not apply to products damaged through misuse, abuse, improper installation, alteration, rework, or attempt to repair.