

INDICATORS • SPEAKERS • SOUND TRANSDUCERS • ENCLOSURES • MICROPHONES • BATTERY ACCESSORIES

CS50-02D60-17-1

Former P/N: CLS50R17-8F2-T600R

Rev. 3-2019
RoHS3 & REACH
Round Speakers



Operating Characteristics

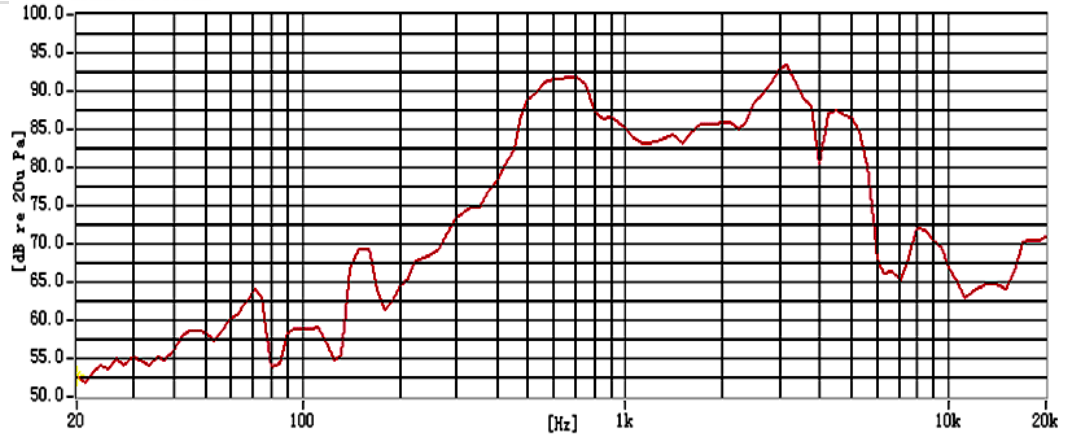
ELECTRICAL

Rated Power	2 W
Short Term Max Power	3.0 W
Impedance	8 Ω ± 15 % 1000 Hz; 0.125 W

ACOUSTIC: Baffle Board

f_o	600 Hz ± 20 % 0.125 W
Freq. Range	600 to 5000 Hz
Rated SPL	90 ± 3 dB 800, 1000, 1200, 1500 Hz; 2.0 W; 100 cm;
Distortion	<5 % 1000 Hz; 0.1 W

SPL at 2w1m 600HZ



Physical Characteristics

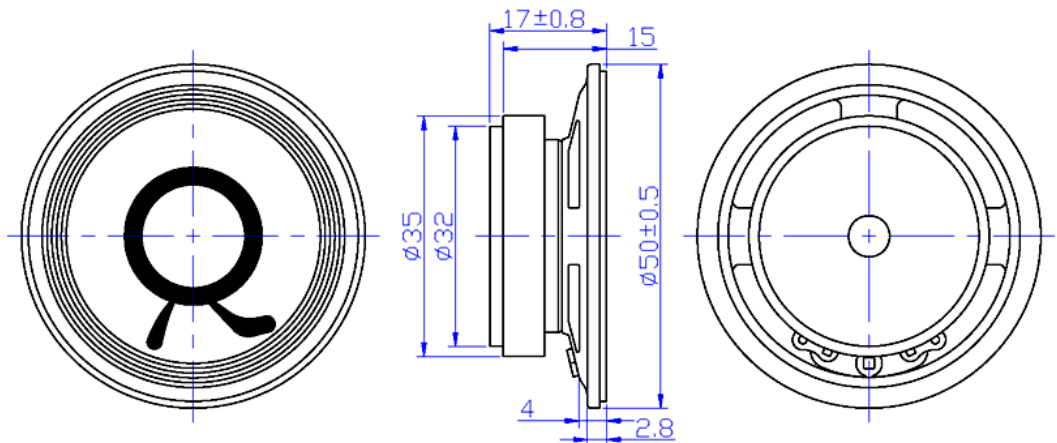
MATERIALS

Housing	Steel
Cone	Mylar
Magnet	NdFeB
Solder Tab	Tin Plated Brass

TEMPERATURE RANGES

Operating	-20 to +60 °C
Storage	-30 to +70 °C

Weight 56 g



Revision	Description	By	Date
3-2019	Migrate to new format	WS	2019-06-21

Warranty: For a period of one (1) year from date of shipping under normal operations conditions This warranty does not apply to products damaged through misuse, abuse, improper installation, alteration, rework, or attempt to repair.

The information contained herein is believed to be correct, but no guarantee or warranty, express or implied, with respect to accuracy, completeness or results is extended and no liability is assumed. Challenge Electronics reserves the right to make changes in any specification, data or material contained herein.
©2019 Challenge Electronics, Inc. 20190826155243