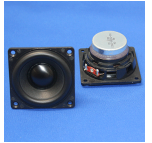


## CS52-05D12-31-1

Rev. 1-2023  
RoHS3 & REACH  
Square Speakers



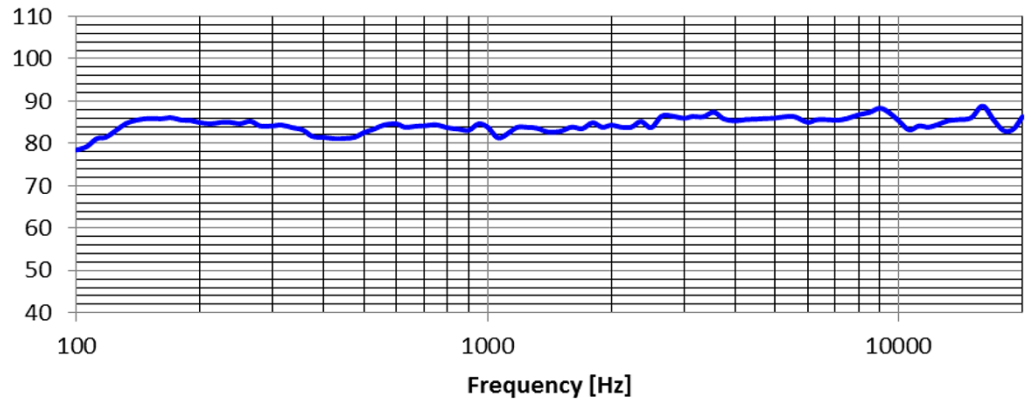
### Operating Characteristics

#### ELECTRICAL

Rated Power	5 W
Short Term Max Power	8 W
Impedance	4 Ω ± 15 % 1000 Hz; 1 W

#### ACOUSTIC: Baffle Board

$f_o$	120 Hz ± 20 % 1 W
Freq. Range	120 to 20000 Hz
Rated SPL	82 ± 3 dB 2000 - 4000 Hz; AVG; 1 W; 100 cm;
Distortion	Max 5 % 1000 Hz; 1 W



### Physical Characteristics

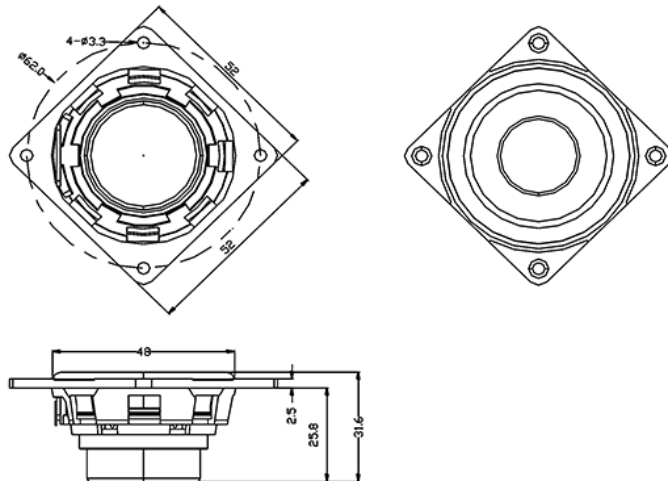
#### MATERIALS

Housing	ABS
Cone	PU + Paper
Magnet	NdFeB
Solder Tabs	Paper + Tin Plated Iron

#### TEMPERATURE RANGES

Operating	-20 to +60 °C
Storage	-25 to +70 °C

Weight 70 g



General tolerance = ±0.3 mm and all measurements in mm unless otherwise noted.

Revision	Description	By	Date
0-2022	Original Specification	CT	2022-12-06
1-2023	Added part image.	SK	2023-05-10

Warranty: For a period of one (1) year from date of shipping under normal operations conditions. This warranty does not apply to products damaged through misuse, abuse, improper installation, alteration, rework, or attempt to repair.

The information contained herein is believed to be correct, but no guarantee or warranty, express or implied, with respect to accuracy, completeness or results is extended and no liability is assumed. Challenge Electronics reserves the right to make changes in any specification, data or material contained herein.