

INDICATORS • SPEAKERS • SOUND TRANSDUCERS • ENCLOSURES • MICROPHONES • BATTERY ACCESSORIES

## CS57-00D60-13-1

Former P/N: CES570R130AD45SMN600STR

Rev. 3-2019  
RoHS3 & REACH  
Round Speakers



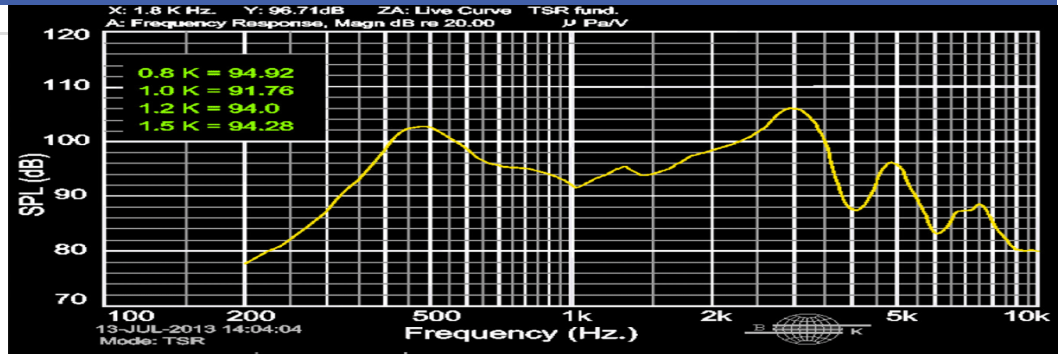
### Operating Characteristics

#### ELECTRICAL

Rated Power	0.2 W
Short Term Max Power	0.3 W
Impedance	45 Ω ± 15 % 1000 Hz; 0.022 W

#### ACOUSTIC: Baffle Board

$f_0$	600 Hz ± 20 % 0.022 W
Freq. Range	600 to 5000 Hz
Rated SPL	93 ± 3 dB 800, 1000, 1200, 1500 Hz; 0.1 W; 10 cm;
Distortion	<5 % 1000 Hz; 0.2 W



### Physical Characteristics

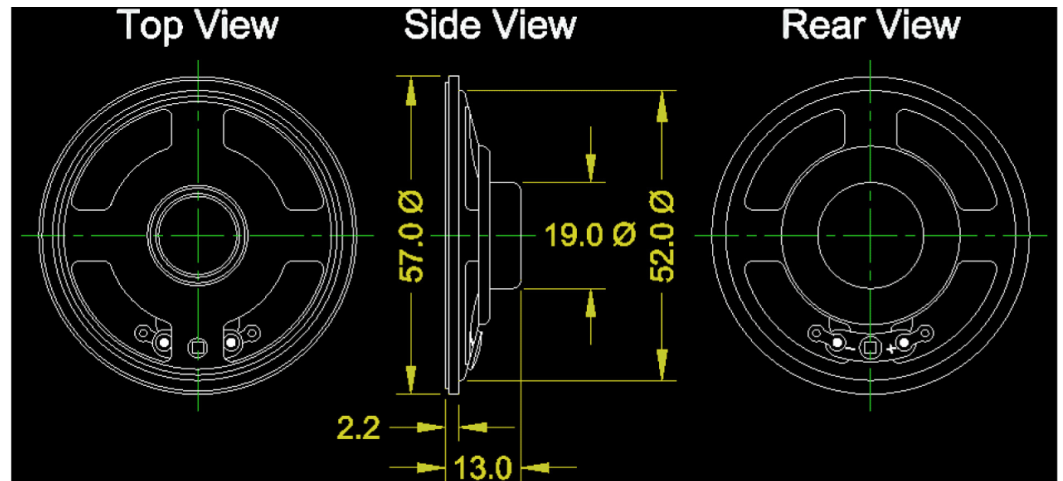
#### MATERIALS

Housing	Steel
Cone	Mylar
Magnet	NdFeB
Solder Tab	Tin Plated Iron

#### TEMPERATURE RANGES

Operating	-20 to +60 °C
Storage	-30 to +70 °C

Weight 20 g



Revision	Description	By	Date
2-2013	Replaced Mechanical Drawing (Dimensions) and SPL vs. Freq. Response	WS	2013-07-17
3-2019	Migrate to new format	WS	2019-06-21

Warranty: For a period of one (1) year from date of shipping under normal operations conditions This warranty does not apply to products damaged through misuse, abuse, improper installation, alteration, rework, or attempt to repair.

The information contained herein is believed to be correct, but no guarantee or warranty, express or implied, with respect to accuracy, completeness or results is extended and no liability is assumed. Challenge Electronics reserves the right to make changes in any specification, data or material contained herein.

©2019 Challenge Electronics, Inc. 20190826155200