

INDICATORS • SPEAKERS • SOUND TRANSDUCERS • ENCLOSURES • MICROPHONES • BATTERY ACCESSORIES

CS57-03W20-26-1

Former P/N: CES570R260GA04SPF200W178R

Rev. 1-2019
 RoHS3 & REACH
 Round Speakers



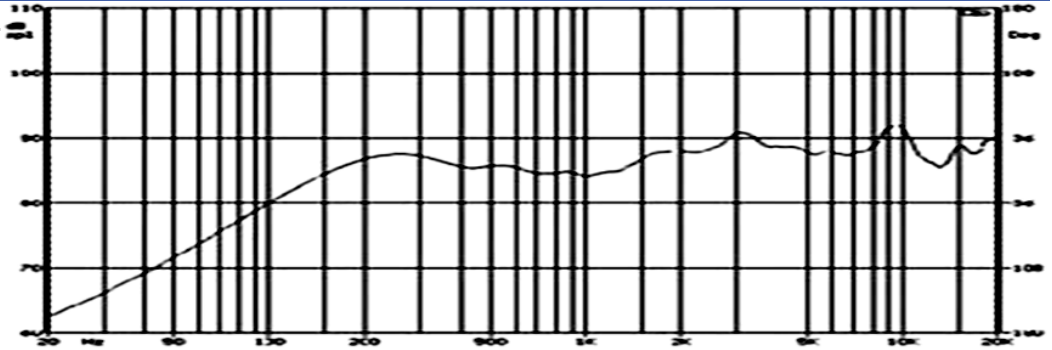
Operating Characteristics

ELECTRICAL

Rated Power	3.0 W
Short Term Max Power	6.0 W
Impedance	4 Ω ± 15 % 1000 Hz; 0.25 W

ACOUSTIC: Baffle Board

f_0	200 Hz ± 20 % 0.25 W
Freq. Range	200 to 20000 Hz
Rated SPL	84 ± 3 dB 800, 1000, 1200, 1500 Hz; 1.0 W; 50 cm;
Distortion	<5 % 1000-5000 Hz; 1 W



Physical Characteristics

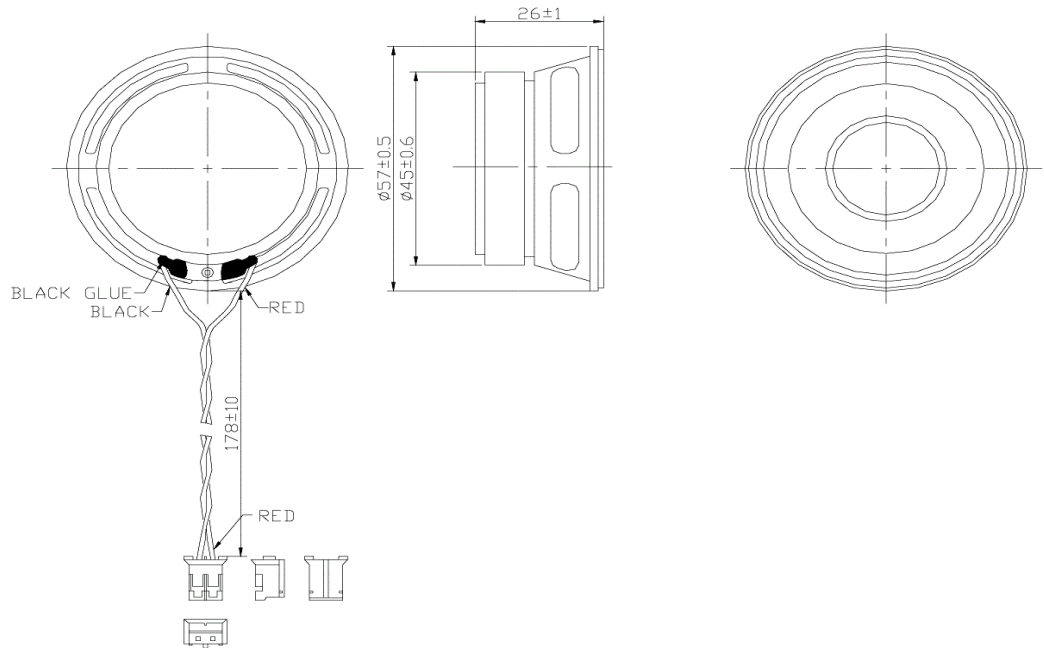
MATERIALS

Housing	Steel
Cone	Paper with Foam
Magnet	Ferrite
Wire	UL 1571, 30 AWG
Connector	JST PHR-2

TEMPERATURE RANGES

Operating	-20 to +60 °C
Storage	-25 to +75 °C

Weight 115 g



Revision	Description	By	Date
1-2019	Migrate to new format	JL	2019-06-21

Warranty: For a period of one (1) year from date of shipping under normal operations conditions This warranty does not apply to products damaged through misuse, abuse, improper installation, alteration, rework, or attempt to repair.