

# CS57-06D140-25-1X

 Rev. 0-2021  
 RoHS3 & REACH  
 IP68  
 Round Speakers

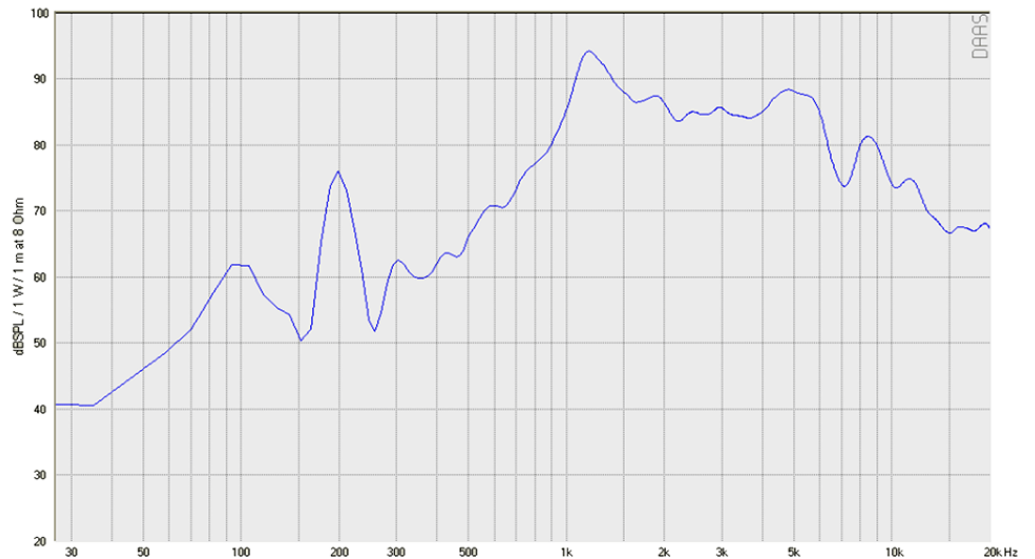

## Operating Characteristics

### ELECTRICAL

Rated Power	6 W
Short Term Max Power	10 W
Impedance	8 Ω ± 15 % 1500 Hz; 0.125 W

### ACOUSTIC: Baffle Board

$f_o$	1400 Hz ± 20 % 0.125 W
Freq. Range	1400 to 6000 Hz
Rated SPL	87 ± 3 dB 1500, 2000, 3000, 5000 Hz; 1 W; 100 cm;
Distortion	Max 5 % 1600 Hz; 1 W



## Physical Characteristics

### MATERIALS

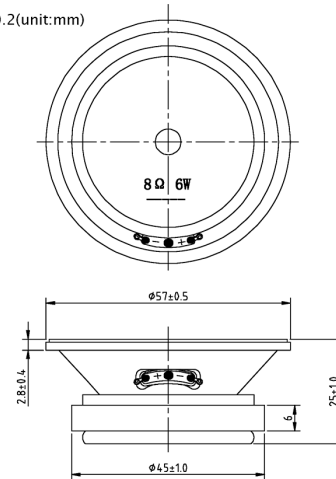
Housing	SPCC
Cone	Cloth
Magnet	Ferrite
Solder Tabs	Iron

### TEMPERATURE RANGES

Operating	-20 to +75 °C
Storage	-40 to +85 °C

Weight 110 g

Unless otherwise specified, tolerance: +/- 0.2(unit:mm)



All Measurements are mm unless noted otherwise.

Revision	Description	By	Date
0-2021	Original Specification	CT	2021-06-17

Warranty: For a period of one (1) year from date of shipping under normal operations conditions. This warranty does not apply to products damaged through misuse, abuse, improper installation, alteration, rework, or attempt to repair.

The information contained herein is believed to be correct, but no guarantee or warranty, express or implied, with respect to accuracy, completeness or results is extended and no liability is assumed. Challenge Electronics reserves the right to make changes in any specification, data or material contained herein.

©2021 Challenge Electronics, Inc. Pub. 20210622163823