

CS66-03D20-29-1

Rev. 2-2023
RoHS3 & REACH
Square Speakers



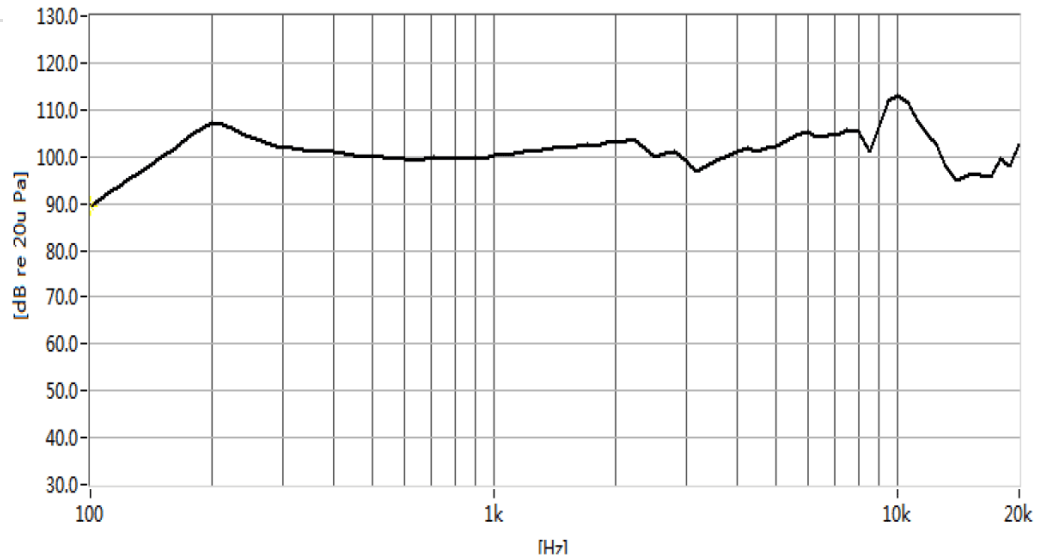
Operating Characteristics

ELECTRICAL

Rated Power	3 W
Short Term Max Power	4 W
Impedance	8 Ω ± 15 % 2000 Hz; 1 W

ACOUSTIC: Baffle Board

f_o	200 Hz ± 20 % 0.125 W
Freq. Range	200 to 15000 Hz
Rated SPL	101 ± 3 dB 600, 800, 1000, 1200 Hz; AVG; 1 W; 10 cm;
Distortion	<5 % 1000 Hz; 1 W



Physical Characteristics

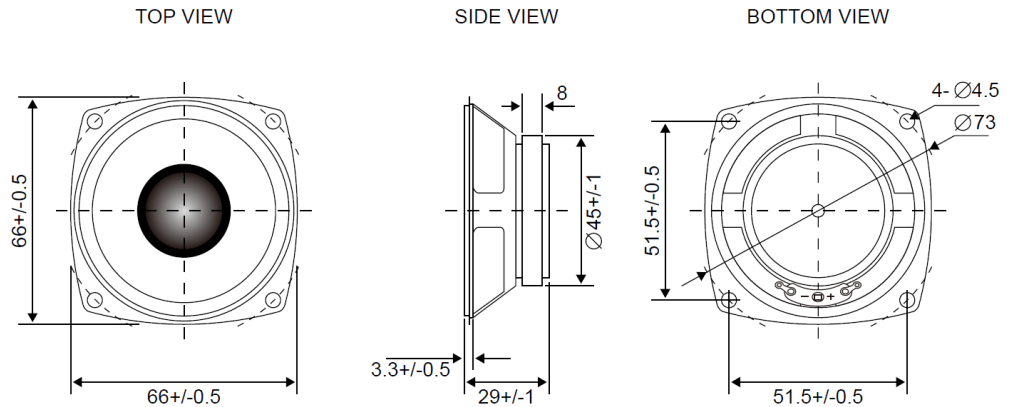
MATERIALS

Housing	SPCC
Cone	Paper Cone with Foam Edge
Magnet	Ferrite
Solder Tabs	Tin Plated Iron

TEMPERATURE RANGES

Operating	-20 to +60 °C
Storage	-30 to +70 °C

Weight 107 g



All measurements in mm unless otherwise noted.

Revision	Description	By	Date
1-2020	Updated frequency response curve, impedance testing condition from 3 W to 1 W, SPL from 84 +/- 3 dB (at 1 W, 100 cm, 800 Hz, 1000 Hz, 1200 Hz, 1500 Hz) to 101 +/- 3 dB (at 1 W, 10 cm, 600 Hz, 800 Hz, 1000 Hz, 1200 Hz), JL and weight from 35 g to 107 g. Added mounting hole spacing to mechanical drawing.		2020-08-06
2-2023	Added part image.	SK	2023-05-10

Warranty: For a period of one (1) year from date of shipping under normal operations conditions. This warranty does not apply to products damaged through misuse, abuse, improper installation, alteration, rework, or attempt to repair.

The information contained herein is believed to be correct, but no guarantee or warranty, express or implied, with respect to accuracy, completeness or results is extended and no liability is assumed. Challenge Electronics reserves the right to make changes in any specification, data or material contained herein.