

INDICATORS • SPEAKERS • SOUND TRANSDUCERS • ENCLOSURES • MICROPHONES • BATTERY ACCESSORIES

## CS71-03D60-25-1

Former P/N: CES710V250FA08SMN600TR

Rev. 1-2019  
RoHS3 & REACH  
Oval Speakers



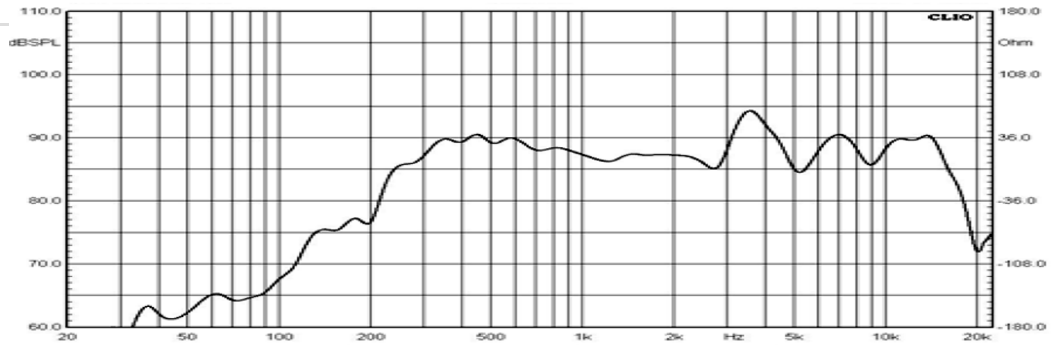
### Operating Characteristics

#### ELECTRICAL

Rated Power	3.0 W
Short Term Max Power	5.0 W
Impedance	8 Ω ± 15 % 1000 Hz; 0.125 W

#### ACOUSTIC: Baffle Board

$f_0$	600 Hz ± 20 % 0.125 W
Freq. Range	600 to 20000 Hz
Rated SPL	83 ± 3 dB 800, 1000, 1200, 1500 Hz; 1.0 W; 10 cm;
Distortion	<5 % 1000 Hz; 0.125 W



### Physical Characteristics

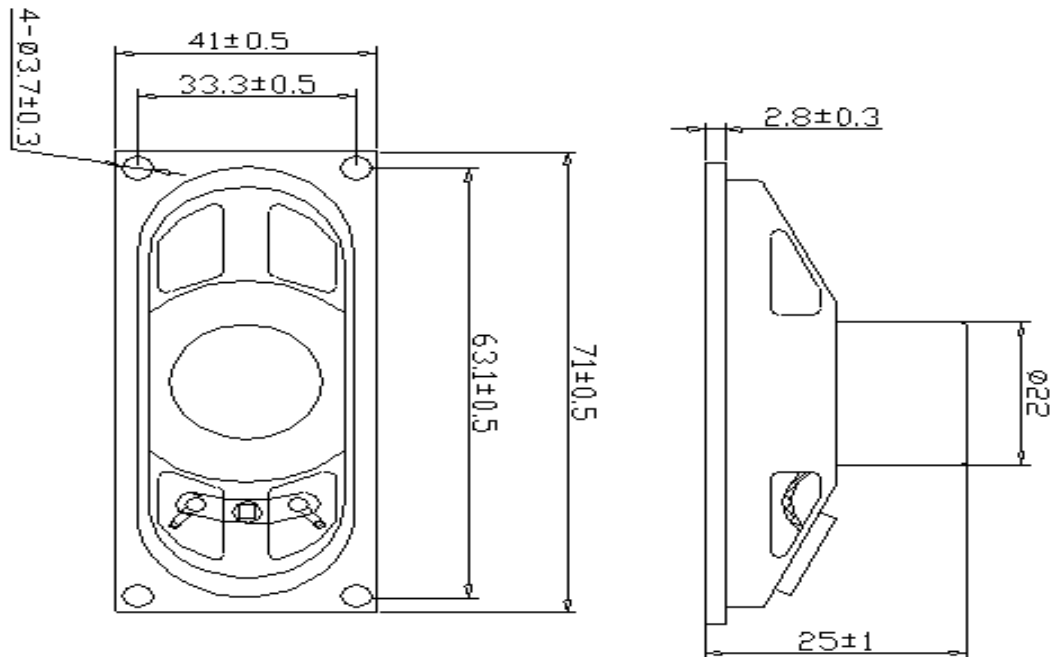
#### MATERIALS

Housing	Steel
Cone	Mylar
Magnet	NdFeB
Solder Tab	Tin Plated Iron

#### TEMPERATURE RANGES

Operating	-20 to +60 °C
Storage	-25 to +70 °C

Weight 38 g



Revision	Description	By	Date
1-2019	Migrate to new format	JL	2019-06-21

Warranty: For a period of one (1) year from date of shipping under normal operations conditions This warranty does not apply to products damaged through misuse, abuse, improper installation, alteration, rework, or attempt to repair.