

INDICATORS • SPEAKERS • SOUND TRANSDUCERS • ENCLOSURES • MICROPHONES • BATTERY ACCESSORIES

CS72-01D35-24-1

Former P/N: CES720V240CA08FPN350TR

Rev. 1-2019
RoHS3 & REACH
Oval Speakers



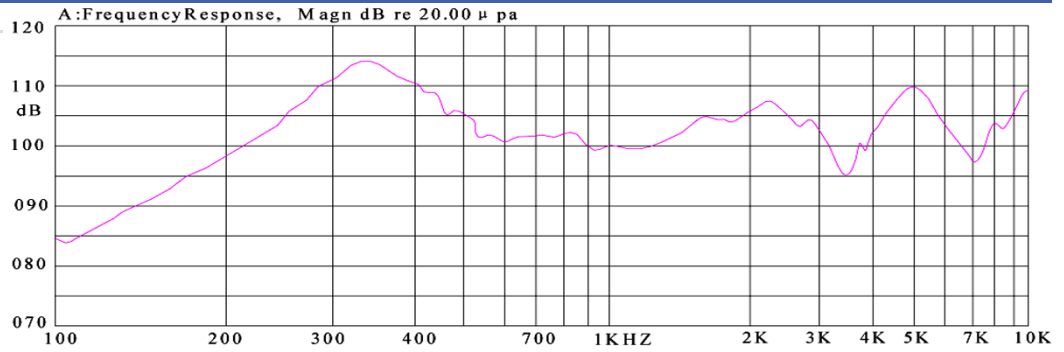
Operating Characteristics

ELECTRICAL

Rated Power	1.0 W
Short Term Max Power	2.0 W
Impedance	8 Ω ± 15 % 1000 Hz; 0.125 W

ACOUSTIC: Baffle Board

f_0	350 Hz ± 20 % 0.125 W
Freq. Range	350 to 7000 Hz
Rated SPL	92 ± 3 dB 800, 1000, 1200, 1500 Hz; 0.1 W; 10 cm;
Distortion	<10 % 1000 Hz; 0.2 W



Physical Characteristics

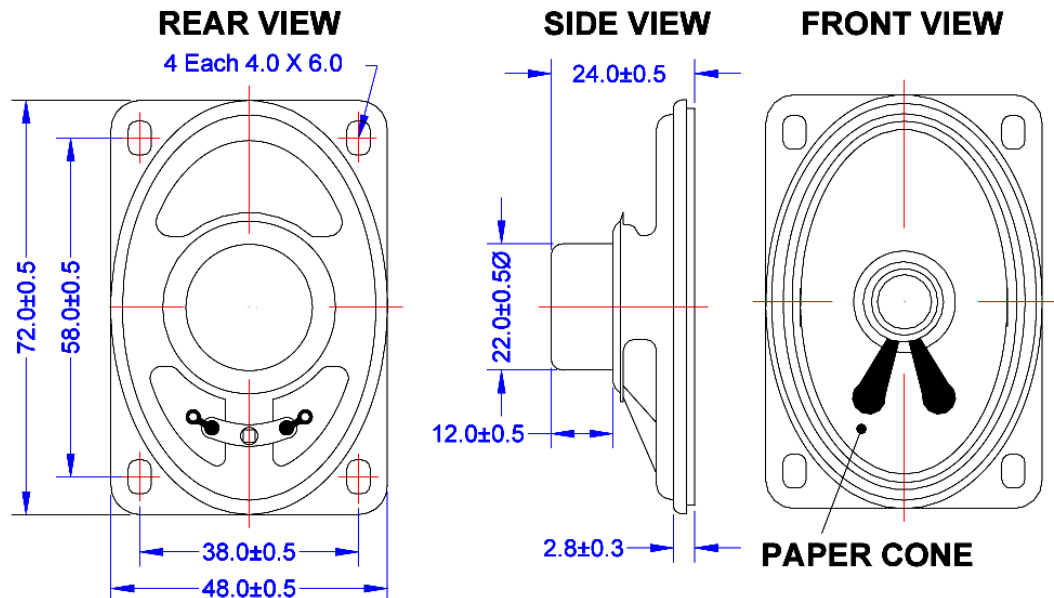
MATERIALS

Housing	Steel
Cone	Paper
Magnet	NdFeB

TEMPERATURE RANGES

Operating	-20 to +55 °C
Storage	-30 to +65 °C

Weight 40 g



Revision	Description	By	Date
1-2019	Migrate to new format	JL	2019-06-21

Warranty: For a period of one (1) year from date of shipping under normal operations conditions This warranty does not apply to products damaged through misuse, abuse, improper installation, alteration, rework, or attempt to repair.