

INDICATORS • SPEAKERS • SOUND TRANSDUCERS • ENCLOSURES • MICROPHONES • BATTERY ACCESSORIES

CS77-01D36-24-1

Former P/N: CES770S240BF08SPF360TR

Rev. 3-2019
RoHS3 & REACH
Square Speakers



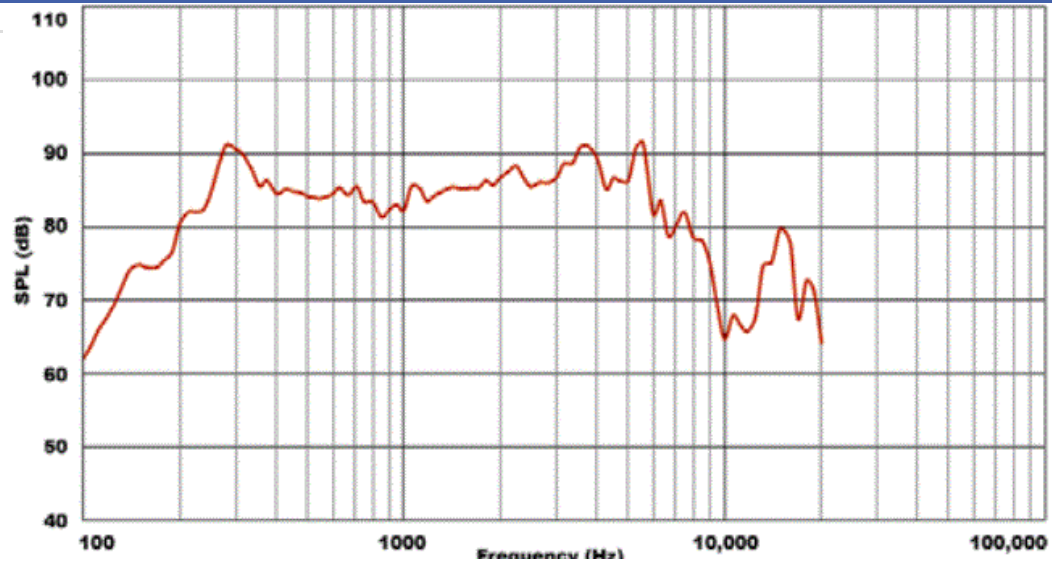
Operating Characteristics

ELECTRICAL

Rated Power	1.0 W
Short Term Max Power	1.5 W
Impedance	8 Ω ± 15 % 1000 Hz; 0.125 W

ACOUSTIC: Baffle Board

f_0	360 Hz ± 20 % 0.125 W
Freq. Range	360 to 15000 Hz
Rated SPL	82 ± 3 dB 500, 600, 700, 800 Hz; 1.0 W; 100 cm;
Distortion	<5 % 1000 Hz; 0.125 W



Physical Characteristics

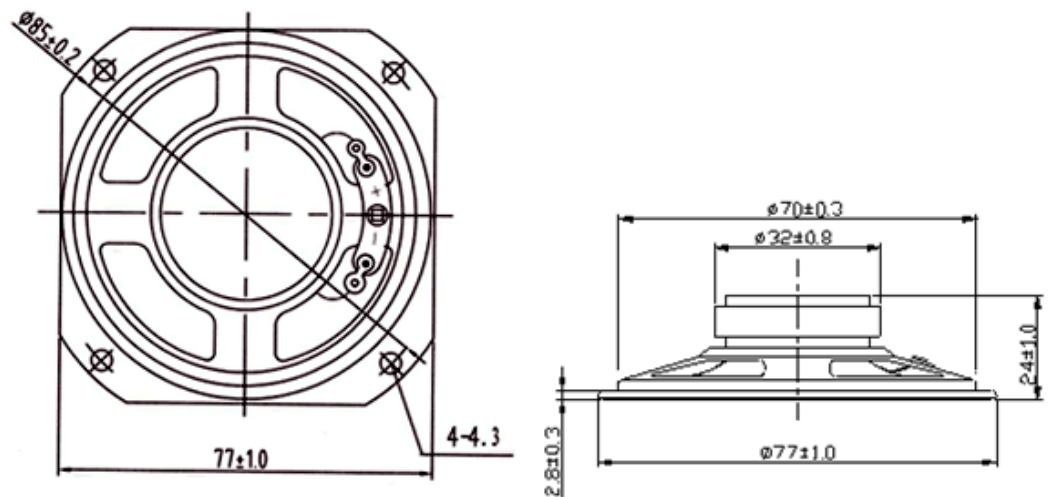
MATERIALS

Housing	Steel
Cone	Mylar
Magnet	Ferrite

TEMPERATURE RANGES

Operating	-20 to +60 °C
Storage	-30 to +70 °C

Weight	58 g
--------	------



Revision	Description	By	Date
2-2015	Added REACH Compliance Statement.	WS	2015-12-27
3-2019	Migrate to new format.	JL	2019-06-21

Warranty: For a period of one (1) year from date of shipping under normal operations conditions This warranty does not apply to products damaged through misuse, abuse, improper installation, alteration, rework, or attempt to repair.

The information contained herein is believed to be correct, but no guarantee or warranty, express or implied, with respect to accuracy, completeness or results is extended and no liability is assumed. Challenge Electronics reserves the right to make changes in any specification, data or material contained herein.