

INDICATORS • SPEAKERS • SOUND TRANSDUCERS • ENCLOSURES • MICROPHONES • BATTERY ACCESSORIES

CS87-06D50-32-1

Former P/N: CLS87S32.5-8F6-E500R

Rev. 0-2019
RoHS3 & REACH
Square Speakers



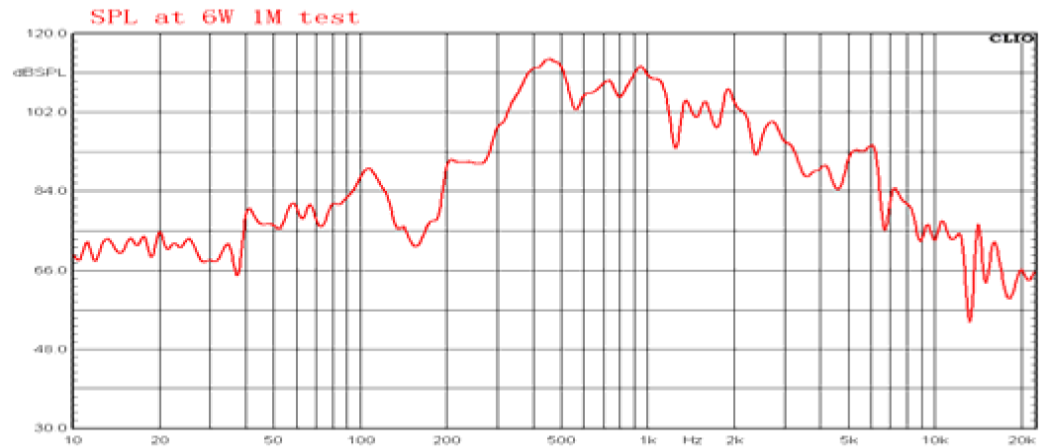
Operating Characteristics

ELECTRICAL

Rated Power	6 W
Short Term Max Power	12 W
Impedance	8 Ω ± 15 % 700 Hz; 1 W

ACOUSTIC: Baffle Board

f_o	500 Hz ± 20 %
Freq. Range	500 to 10000 Hz
Rated SPL	106 ± 3 dB 350 - 600 Hz; 6 W; 100 cm;
Distortion	5 % 1000 Hz; 1 W



Physical Characteristics

MATERIALS

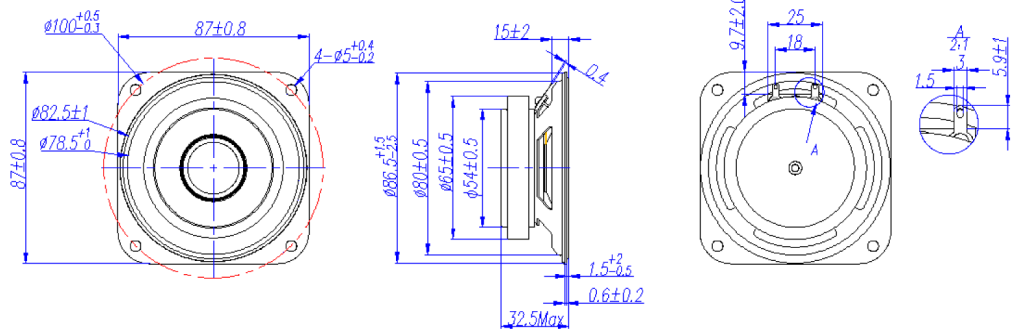
Housing	Steel, Zn Plated
Cone	PEI
Magnet	Ferrite
Solder Tab	Tin Plated Brass

TEMPERATURE RANGES

Operating	-40 to +74 °C
Storage	-40 to +85 °C

Weight 14.5 g

(Unit: mm, Tolerance: +/-0.5mm)



Revision	Description	By	Date
0-2019	Initial Specification Sheet	JL	2019-04-08

Warranty: For a period of one (1) year from date of shipping under normal operations conditions This warranty does not apply to products damaged through misuse, abuse, improper installation, alteration, rework, or attempt to repair.

The information contained herein is believed to be correct, but no guarantee or warranty, express or implied, with respect to accuracy, completeness or results is extended and no liability is assumed. Challenge Electronics reserves the right to make changes in any specification, data or material contained herein.
©2019 Challenge Electronics, Inc. 20190826155249